



DEPARTMENT OF PERMITTING, ENVIRONMENT, AND REGULATORY
AFFAIRS (PERA)
BOARD AND CODE ADMINISTRATION DIVISION

MIAMI-DADE COUNTY
PRODUCT CONTROL SECTION
11805 SW 26 Street, Room 208
Miami, Florida 33175-2474
T (786) 315-2590 F (786) 315-2599

NOTICE OF ACCEPTANCE (NOA)

www.miamidade.gov/pera/

DAB Door Company, Inc.
12195 NW 98th Avenue
Hialeah Gardens, FL 33018

SCOPE: This NOA is being issued under the applicable rules and regulations governing the use of construction materials. The documentation submitted has been reviewed and accepted by Miami-Dade County PERA -Product Control Section to be used in Miami Dade County and other areas where allowed by the Authority Having Jurisdiction (AHJ).

This NOA shall not be valid after the expiration date stated below. The Miami-Dade County Product Control Section (In Miami Dade County) and/or the AHJ (in areas other than Miami Dade County) reserve the right to have this product or material tested for quality assurance purposes. If this product or material fails to perform in the accepted manner, the manufacturer will incur the expense of such testing and the AHJ may immediately revoke, modify, or suspend the use of such product or material within their jurisdiction. PERA reserves the right to revoke this acceptance, if it is determined by Miami-Dade County Product Control Section that this product or material fails to meet the requirements of the applicable building code.

This product is approved as described herein, and has been designed to comply with the Florida Building Code, including the High Velocity Hurricane Zone.

DESCRIPTION: Hurricane Master® Model 824/811 Steel Sectional Garage Door 16'-2" Wide x 16'-0" High (Reinforced) with Window Lite Option

APPROVAL DOCUMENT: Drawing No. 98-05, titled "24 GA. Roll Formed Steel Sectional Garage Door", dated 02/23/1998, with last revision H dated 10/13/2011, sheets 1 through 6 of 6, prepared by Al-Farooq Corporation, signed and sealed by Javad Ahmad, P.E., bearing the Miami-Dade County Product Control revision stamp with the Notice of Acceptance number and expiration date by the Miami-Dade County Product Control Section.

MISSILE IMPACT RATING: Large and Small Missile Impact Resistant

LABELING: A permanent label with the manufacturer's name or logo, manufacturing address, model/series number, the positive and negative design pressure rating, indicate impact rated if applicable, installation instruction drawing reference number, approval number (NOA), the applicable test standards, and the statement reading 'Miami-Dade County Product Control Approved' is to be located on the door's side track, bottom angle, or inner surface of a panel.

RENEWAL of this NOA shall be considered after a renewal application has been filed and there has been no change in the applicable building code negatively affecting the performance of this product.

TERMINATION of this NOA will occur after the expiration date or if there has been a revision or change in the materials, use, and/or manufacture of the product or process. Misuse of this NOA as an endorsement of any product, for sales, advertising or any other purposes shall automatically terminate this NOA. Failure to comply with any section of this NOA shall be cause for termination and removal of NOA.

ADVERTISEMENT: The NOA number preceded by the words Miami-Dade County, Florida, and followed by the expiration date may be displayed in advertising literature. If any portion of the NOA is displayed, then it shall be done in its entirety.

INSPECTION: A copy of this entire NOA shall be provided to the user by the manufacturer or its distributors and shall be available for inspection at the job site at the request of the Building Official.

This NOA revises NOA # 11-0414.13 and consists of this page 1 and evidence pages E-1 and E-2, as well as approval document mentioned above.

The submitted documentation was reviewed by Carlos M. Utrera, P.E.



[Signature]
02/22/2012

NOA No. 12-0110.08
Expiration Date: July 21, 2015
Approval Date: March 1, 2012
Page 1

NOTICE OF ACCEPTANCE: EVIDENCE SUBMITTED

A. DRAWINGS

1. Drawing No. **98-05**, titled "24 GA. Roll Formed Steel Sectional Garage Door", dated 02/23/1998, with last revision H dated 10/13/2011, sheets 1 through 6 of 6, prepared by Al-Farooq Corporation, signed and sealed by Javad Ahmad, P.E.

B. TESTS *"Submitted under NOA # 11-0414.13"*


1. Test Report on Uniform Static Air Pressure Test, Loading and Forced Entry Test per FBC, TAS 202-94, of "DAB 824 Sectional Residential Garage Door" prepared by Hurricane Engineering & Testing Inc., Report No. **HETI-07-4267**, dated 06/29/2007, signed and sealed by Candido F. Font, P.E.
2. Test Report on Large Missile Impact Test per FBC, TAS 201-94 and Cyclic Wind Pressure Test per FBC, TAS 203-94, of "DAB 824 Sectional Residential Garage Door", prepared by Hurricane Engineering & Testing Inc., Report No. **HETI-11-3206**, dated 02/10/2011, signed and sealed by Candido F. Font, P.E.
3. Test Report on Tensile Test per ASTM E8-08 of "Sectional Residential Door (skin)", prepared by Hurricane Engineering & Testing Inc, Report No. **HETI-11-T101**, dated 01/29/2011, signed and sealed by Candido F. Font, P.E.

"Submitted under NOA # 05-0217.02"

4. Test Report on Large Missile Impact Test and Cyclic Wind Pressure Test, of "Sectional Residential Door with Windows" prepared by Hurricane Engineering & Testing Inc., Test Report No. **HETI 03-1328**, dated 07/15/2003, signed and sealed by Rafael E. Droz-Seda, PE.
5. Test Report on Uniform Static Air Pressure Test, of "Sectional Residential Door" prepared by Hurricane Engineering & Testing Inc., Test Report No. **HETI 03-1329**, dated 07/15/2003 signed and sealed by Rafael E. Droz-Seda, P.E.
6. Test Report on Tensile Test per ASTM E-8 of "Sectional Residential Door (skin)" prepared by Hurricane Engineering & Testing Inc, Test Report No. **HETI 03-T078**, dated 10/31/2003, signed and sealed by Rafael E. Droz-Seda, P.E.

"Submitted under NOA # 03-0210.04"

7. Test report on Salt Spray (Corrosion) Test per ASTM B 117 of a painted G-40 steel panels, prepared by Celotex Corporation, Test Report No. **258592**, dated 08/17/1998, signed by W. A. Jackson, P.E.



02/22/2012

Carlos M. Utrera, P.E.
Product Control Examiner
NOA No. 12-0110.08
Expiration Date: July 21, 2015
Approval Date: March 1, 2012

NOTICE OF ACCEPTANCE: EVIDENCE SUBMITTED

C. CALCULATIONS

1. Anchor verification calculations prepared by Al-Farooq Corporation, complying with F.B.C 2007, dated 04/05/2011, signed and sealed by Javad Ahmad, P.E.

“Submitted under NOA # 09-0128.01”

2. Anchor verification calculations prepared by Al-Farooq Corporation, complying with F.B.C 2007, dated 12/18/2008, signed and sealed by Humayoun Farooq, P.E.

D. QUALITY ASSURANCE

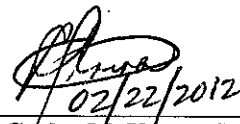
1. Miami-Dade Department of Permitting, Environment, and Regulatory Affairs (PERA)

E. MATERIAL CERTIFICATIONS

1. Notice of Acceptance No. **08-0305.02**, issued to SABIC Innovative Plastics, for their Lexan Sheet Products, approved on 04/24/2008 and expiring on 07/17/2013.
2. Notice of Acceptance No. **07-1016.07**, issued to Insulfoam, LLC, for their Insulfoam Expanded Polystyrene Insulation, approved on 11/29/2007 and expiring on 11/29/2012.
3. Notice of Acceptance No. **11-0926.07**, issued to Dyplast Products, LLC, for their Expanded Polystyrene Block Type Insulation, approved on 11/10/2011 and expiring on 01/11/2017.
4. Notice of Acceptance No. **11-0926.06**, issued to Dyplast Products, LLC, for their Dyplast ISO-C1 Polyisocyanurate Insulation, approved on 11/10/2011 and expiring on 01/11/2017.

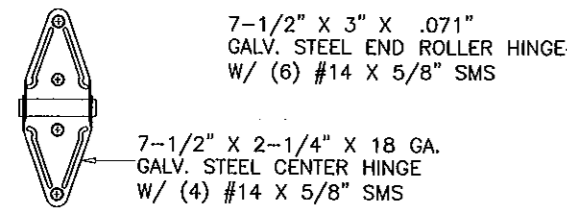
F. STATEMENTS

1. Statement letter of code conformance to FBC 2010 and no financial interest issued by Al-Farooq Corporation, dated 10/25/2011, signed and sealed by Javad Ahmad, P.E.



02/22/2012

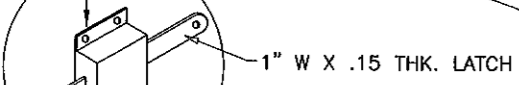
Carlos M. Utrera, P.E.
Product Control Examiner
NOA No. 12-0110.08
Expiration Date: July 21, 2015
Approval Date: March 1, 2012



7-1/2" X 3" X .071"
GALV. STEEL END ROLLER HINGE
W/ (6) #14 X 5/8" SMS

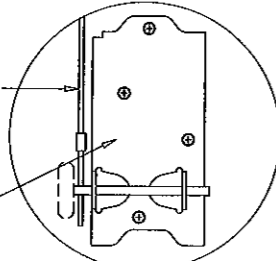
7-1/2" X 2-1/4" X 18 GA.
GALV. STEEL CENTER HINGE
W/ (4) #14 X 5/8" SMS

LOCK
2/ DOOR



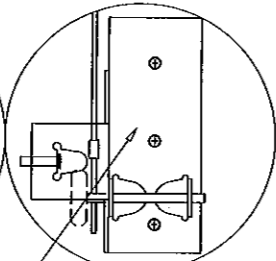
1" W X .15 THK. LATCH
SPRING LOADED SLIDE BOLT LOCK (BOTH SIDES)
FASTENED W/ (4) #14 X 1/2" S.M.S.
5/8" MIN. LOCK ENGAGEMENT CONFORMS TO
FBC 1012 REGARDING GARAGE DOORS

.158 DIA. GALV. AIRCRAFT TYPE
CABLE & NICO-PRESS SLEEVE
W/ MIN. 5 TO 1 SAFETY FACTOR



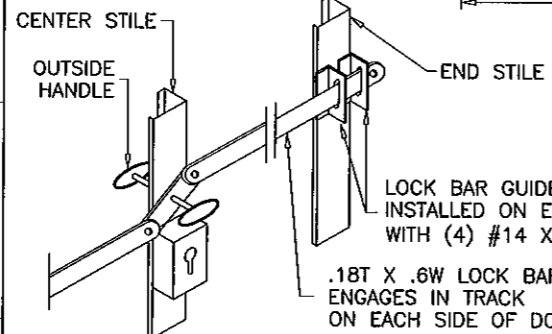
7" X 3" X 0.1"
STEEL PLATE
WITH (4) #14 X 3/4"
SELF DRILLING SCREWS

BRACKET
STD. LIFT DOOR



BRACKET
LOW HEADROOM
DOOR OPTION

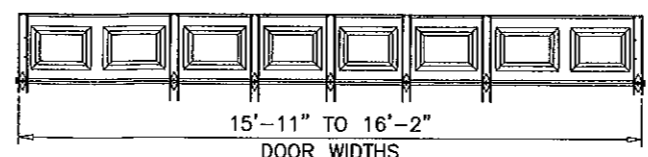
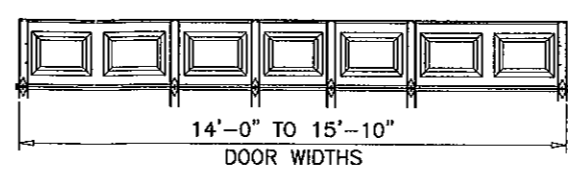
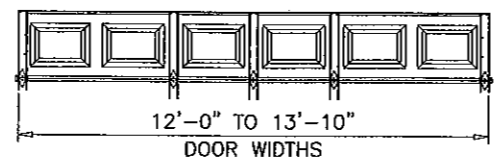
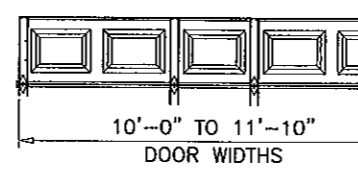
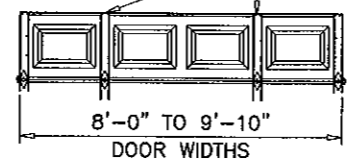
7-7/8" X 3-1/8" X .010"
STEEL PLATE
WITH (4) #14 X 3/4" SDS



LOCK BAR GUIDES
INSTALLED ON END STILE
WITH (4) #14 X 5/8" SMS

.18T X .6W LOCK BAR
ENGAGES IN TRACK
ON EACH SIDE OF DOOR

OPTIONAL
OUTSIDE KEYPED LOCK
LOCK BAR LOCKING SHOWN
ALT. TO LOCKS SHOWN ABOVE



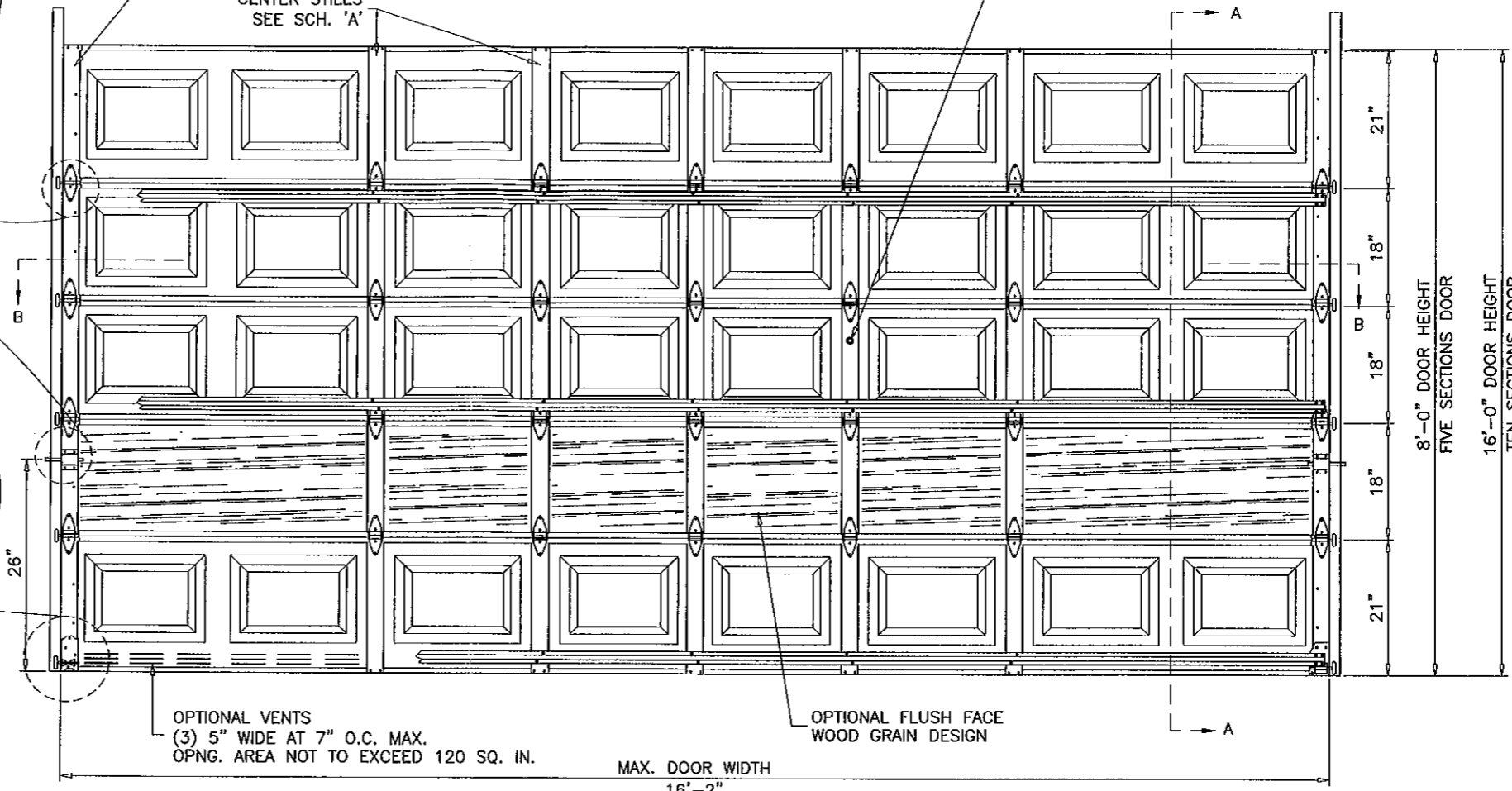
DOOR HEIGHT	CONSISTS OF		TOTAL # OF 'U' BARS AT EACH DOOR
6'-6"	2 SECTIONS 18"	2 SECTIONS 21"	3
6'-9"	1 SECTION 18"	3 SECTIONS 21"	
7'	4 SECTIONS 21"	-	
7'-3"	-	-	4
7'-6"	5 SECTIONS 18"	-	
7'-9"	4 SECTIONS 18"	1 SECTION 21"	
8'	3 SECTIONS 18"	2 SECTIONS 21"	5
8'-3"	2 SECTIONS 18"	3 SECTIONS 21"	
8'-6"	1 SECTION 18"	4 SECTIONS 21"	
8'-9"	5 SECTIONS 21"	-	6
9'	6 SECTIONS 18"	-	
9'-3"	5 SECTIONS 18"	1 SECTION 21"	
9'-6"	4 SECTIONS 18"	2 SECTIONS 21"	7
9'-9"	3 SECTIONS 18"	3 SECTIONS 21"	
10'	2 SECTIONS 18"	4 SECTIONS 21"	
10'-3"	1 SECTION 18"	5 SECTIONS 21"	8
10'-6"	6 SECTIONS 21"	-	
10'-9"	6 SECTIONS 18"	1 SECTION 21"	
11'	5 SECTIONS 18"	2 SECTIONS 21"	9
11'-3"	4 SECTIONS 18"	3 SECTIONS 21"	
11'-6"	3 SECTIONS 18"	4 SECTIONS 21"	
11'-9"	2 SECTIONS 18"	5 SECTIONS 21"	10
12'	1 SECTIONS 18"	6 SECTIONS 21"	
12'-3"	7 SECTIONS 21"	-	
12'-6"	6 SECTIONS 18"	2 SECTIONS 21"	11
12'-9"	5 SECTIONS 18"	3 SECTIONS 21"	
13'	4 SECTIONS 18"	4 SECTIONS 21"	
13'-3"	3 SECTIONS 18"	5 SECTIONS 21"	12
13'-6"	2 SECTIONS 18"	6 SECTIONS 21"	
13'-9"	1 SECTION 18"	7 SECTIONS 21"	
14'	8 SECTIONS 21"	-	13
14'-3"	6 SECTIONS 18"	3 SECTIONS 21"	
14'-6"	5 SECTIONS 18"	4 SECTIONS 21"	
14'-9"	4 SECTIONS 18"	5 SECTIONS 21"	14
15'	3 SECTIONS 18"	6 SECTIONS 21"	
15'-3"	2 SECTIONS 18"	7 SECTIONS 21"	
15'-6"	1 SECTION 18"	8 SECTIONS 21"	15
15'-9"	9 SECTIONS 21"	-	
16'	6 SECTIONS 18"	4 SECTIONS 21"	

REFER TO SHEET 2
FOR U-BAR PLACEMENT

TOP FIXTURE 5-1/2" X 2-3/4" X 0.1"
STEEL PLATE WITH ONE 5/16-18 MS W/ NUT
FASTENED TO END STILE WITH
(6) #14 X 3/4" SELF DRILLING SCREWS
SEE SHEET 4 FOR TOP BRACKET OPTIONS

OPTIONAL DOOR VIEWER
TO BE INSTALLED AT
ANY CENTER STILE

CENTER STILES
SEE SCH. 'A'



21"
18"
18"
18"
21"
8'-0" DOOR HEIGHT
FIVE SECTIONS DOOR
16'-0" DOOR HEIGHT
TEN SECTIONS DOOR

OPTIONAL VENTS
(3) 5" WIDE AT 7" O.C. MAX.
OPNG. AREA NOT TO EXCEED 120 SQ. IN.

OPTIONAL FLUSH FACE
WOOD GRAIN DESIGN

MAX. DOOR WIDTH
16'-2"

INSIDE ELEVATION
RAISED PANEL EMBOSSED DOOR

DAB DOORS INC.
Hurricane Master® Model 824/811
Max. Size 16'-2" X 16'-0" High
With Window Lite Option

THIS PRODUCT IS RATED FOR LARGE MISSILE IMPACT

DESIGN PRESSURE RATING = + 48.0 PSF
- 52.0 PSF

GENERAL NOTES

1. THIS PRODUCT HAS BEEN DESIGNED AND TESTED TO COMPLY WITH THE REQUIREMENTS OF THE FLORIDA BUILDING CODE 2010 EDITION INCLUDING HIGH VELOCITY HURRICANE ZONE.
2. ANCHORS SHALL BE AS LISTED, SPACED AS SHOWN ON DETAILS. ANCHOR EMBEDMENT TO BASE MATERIAL SHALL BE BEYOND WALL DRESSING OR STUCCO.
3. ALL BOLTS, NUTS AND WASHERS SHALL BE ZINC PLATED CARBON STEEL.
4. ANCHORING OR LOADING CONDITIONS OTHER THAN THOSE SHOWN IN THESE DETAILS ARE NOT PART OF THIS APPROVAL.
5. A LOAD DURATION INCREASE IS USED IN DESIGN OF ANCHORS INTO WOOD ONLY.

SCHEDULE 'A'

CENTER STILES CONFIGURATION	
DOOR WIDTHS	# OF CENTER STILES
8'-0" TO 9'-10"	2
10'-0" TO 11'-10"	2
12'-0" TO 13'-10"	3
14'-0" TO 15'-10"	4
15'-11" TO 16'-2"	5

Engr: JAVAD AHMAD
CIVIL
FLA. PE # 70502
C.A.N. 3538

NOV 07 2011

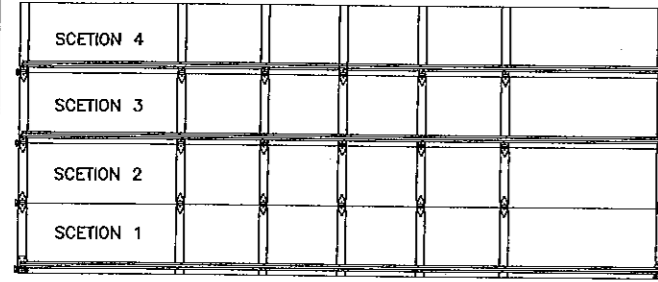
PRODUCT REVISED
as complying with the Florida
Building Code
Acceptance No 12-0110-08
Expiration Date 07/21/2015
By *[Signature]*
Miami Trade Product Control

af c
AL-FAROOQ CORPORATION
ENGINEERS & PRODUCT DEVELOPMENT
1235 S.W. 87 AVE
MIAMI, FLORIDA 33174
TEL (305) 264-8100 FAX (305) 262-6978
GARAGE\98-05DAB

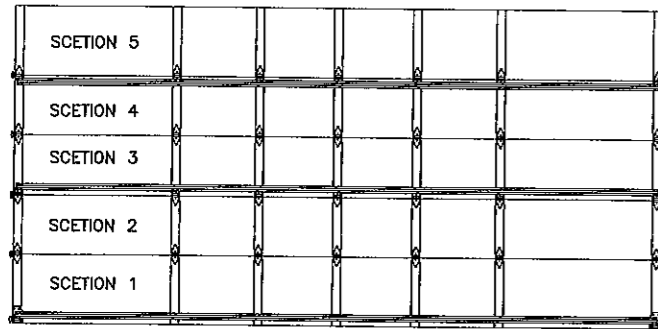
24 GA. ROLL FORMED STEEL SECTIONAL GARAGE DR.
DAB DOORS INC.
12195 N.W. 98 TH. AVE.
HIALEAH GARDENS, FL. 33018
TEL. (305) 556 - 6624

NO	DATE	DESCRIPTION	BY
D	05.20.05	REV. PER BCCO COMMENTS	
E	12.10.08	UPDATED FOR 2007 FBC	
F	01.06.10	ENGR. NAME CHANGED	
G	02.16.11	GENERAL REVISION	
H	10.13.11	UPDATED TO 2010 FBC	

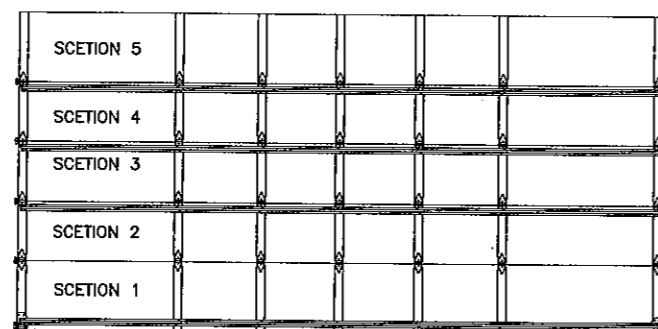
date: 02-23-98
scale: 1/2"=1'-0"
dr. by: HAMID
chk. by:
drawing no.
98-05
sheet 1 of 6



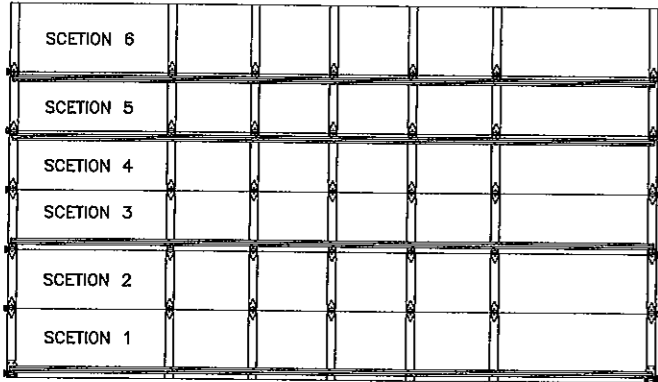
4 SECTION DOOR
HEIGHT RANGE 6'-6" TO 7'-0"
(3) U-BARS



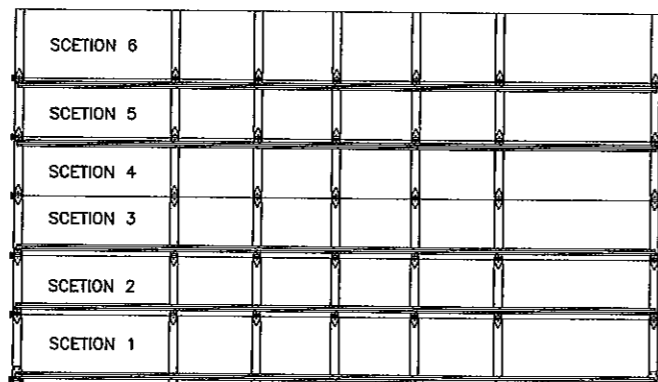
5 SECTION DOOR
HEIGHT RANGE 7'-6" TO 8'-0"
(3) U-BARS



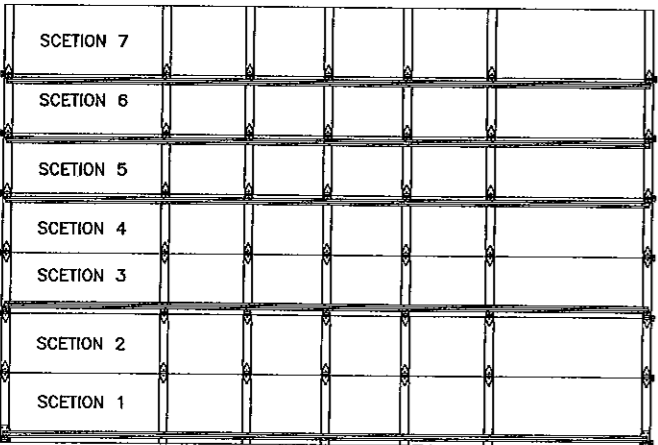
5 SECTION DOOR
HEIGHT RANGE 8'-3" TO 8'-9"
(4) U-BARS



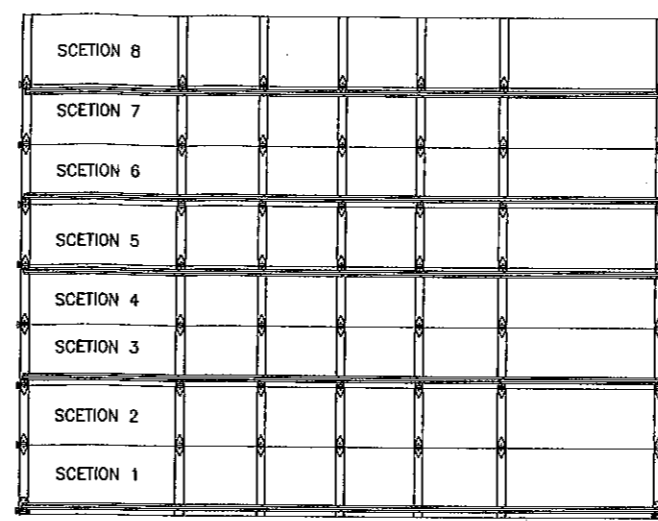
6 SECTION DOOR
HEIGHT RANGE 9'-0" TO 10'-3"
(4) U-BARS



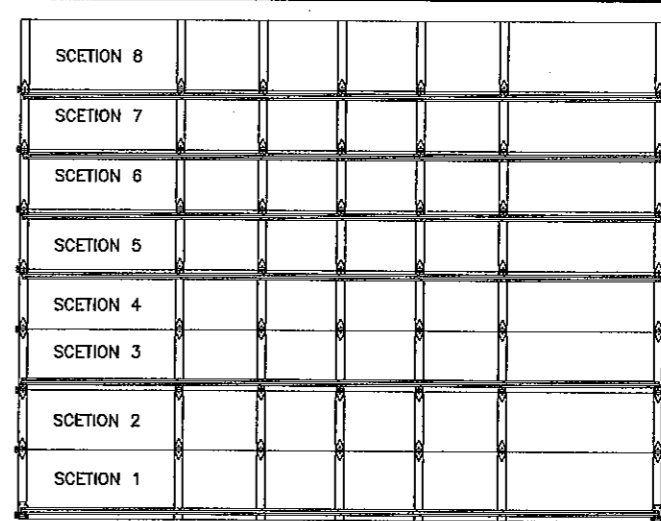
6 SECTION DOOR
HEIGHT RANGE 10'-6"
(5) U-BARS



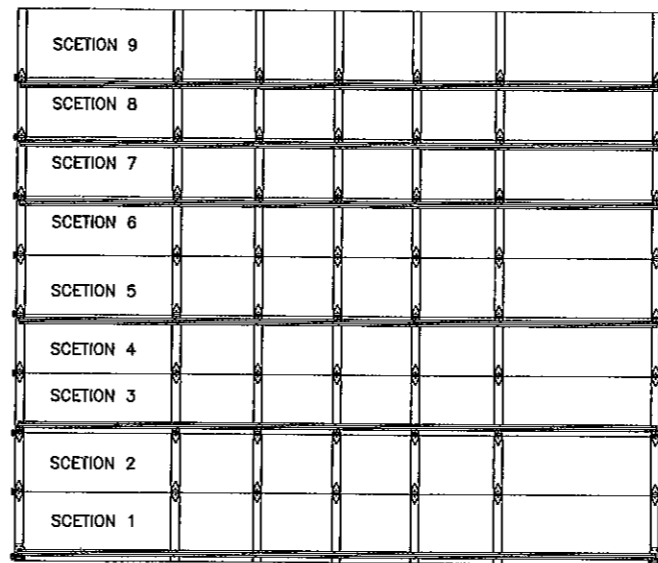
7 SECTION DOOR
HEIGHT RANGE 10'-9" TO 12'-3"
(5) U-BARS



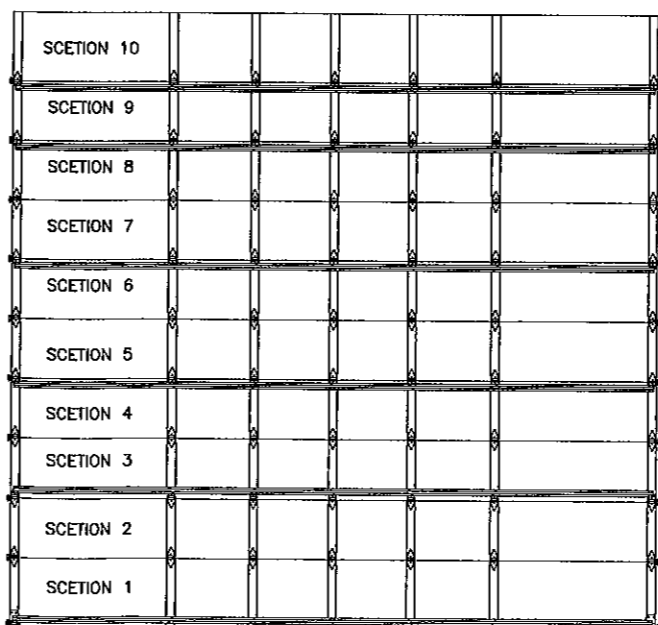
8 SECTION DOOR
HEIGHT RANGE 12'-6" TO 13'-3"
(5) U-BARS



8 SECTION DOOR
HEIGHT RANGE 13'-6" TO 14'-0"
(6) U-BARS



9 SECTION DOOR
HEIGHT RANGE 14'-3" TO 15'-9"
(6) U-BARS



10 SECTION DOOR
HEIGHT RANGE 16'-0"
(6) U-BARS

Engr: JAVAD AHMAD
CIVIL
FLA. PE # 70592
C.A.N. 3538
NOV 07 2011

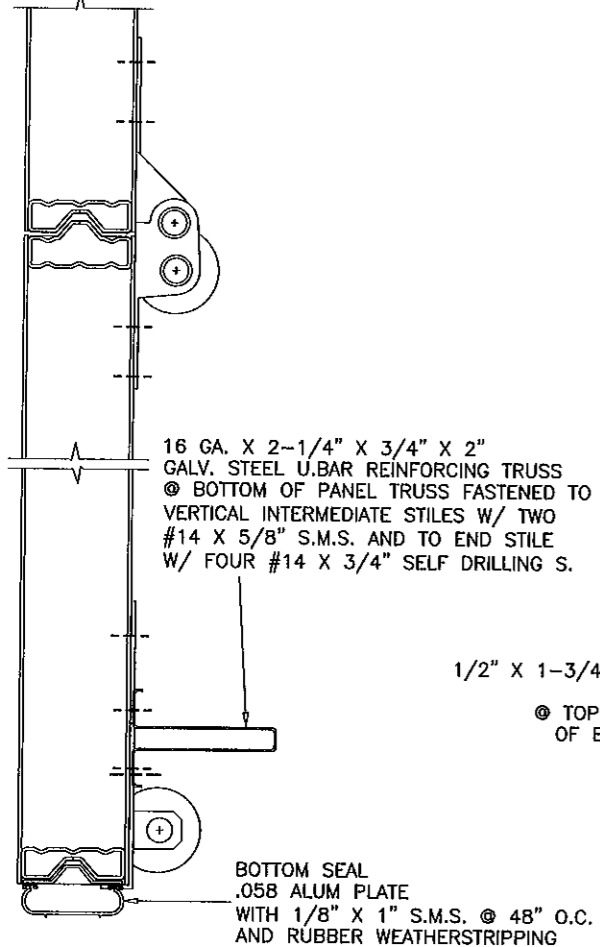
PRODUCT REVISED
as complying with the Florida
Building Code
Acceptance No 12-0110.08
Expiration Date 07/21/2015
By *[Signature]*
Miami Date Product Control

af c
AL-FAROOQ CORPORATION
ENGINEERS & PRODUCT DEVELOPMENT
1235 S.W. 87 AVE
MIAMI, FLORIDA 33174
TEL. (305) 264-8100 FAX. (305) 262-6978
GARAGE 98-05DAB

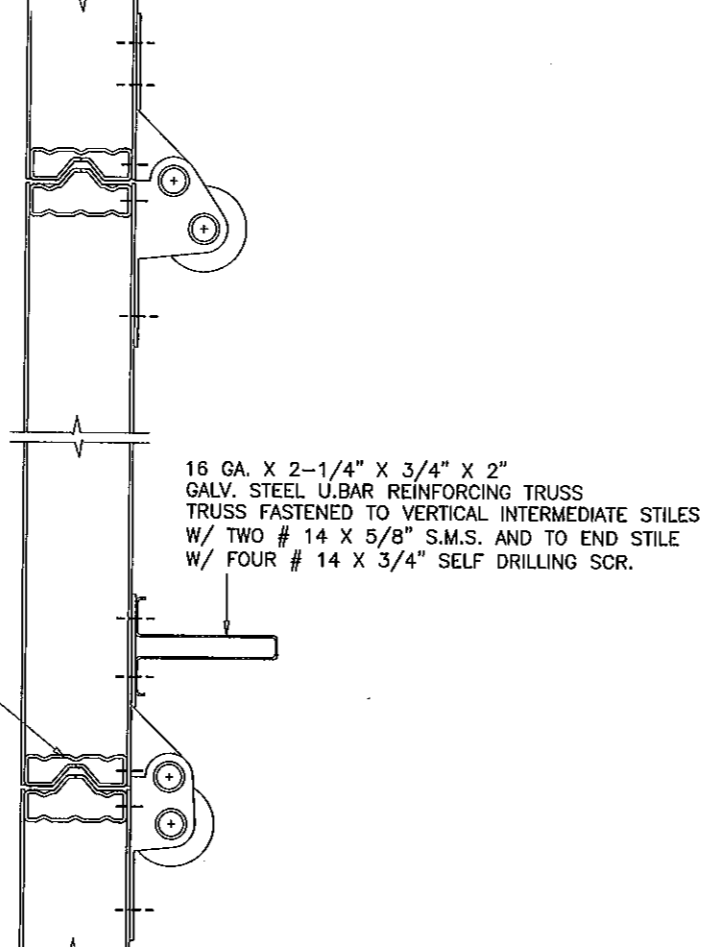
24 GA. ROLL FORMED STEEL SECTIONAL GARAGE DR.
DAB DOORS INC.
12195 N.W. 98 TH. AVE.
HIALEAH GARDENS, FL. 33018
TEL (305) 556 - 6624

revisions:		GENERAL REVISION	
no	date	by	description
G	02.16.11		
H	10.13.11		

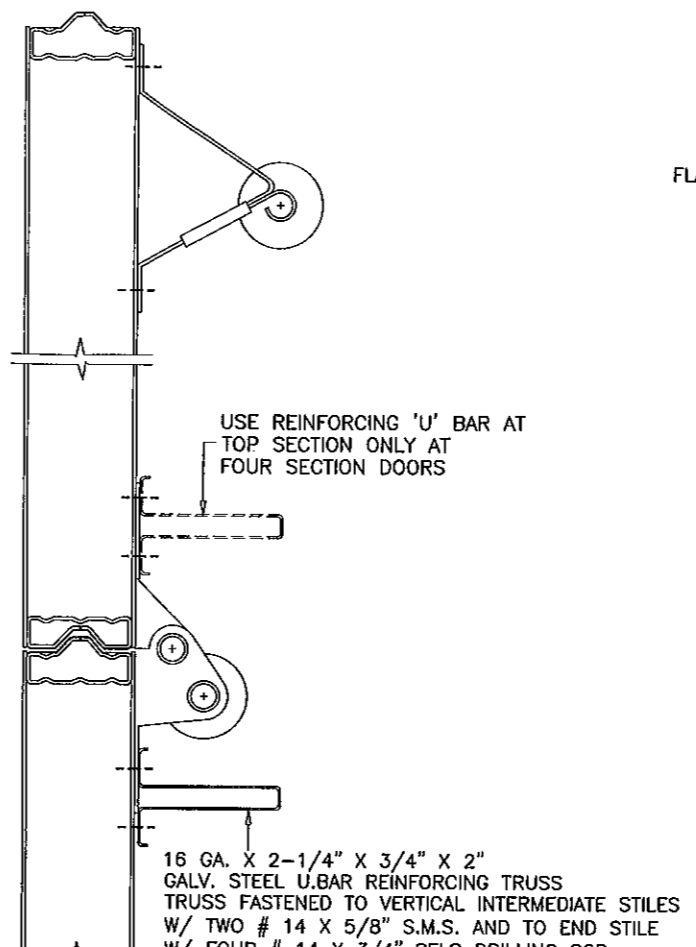
date: 02-23-98
scale: 1/2" = 1'-0"
dr. by: HAMID
chk. by:
drawing no.
98-05
sheet 2 of 6



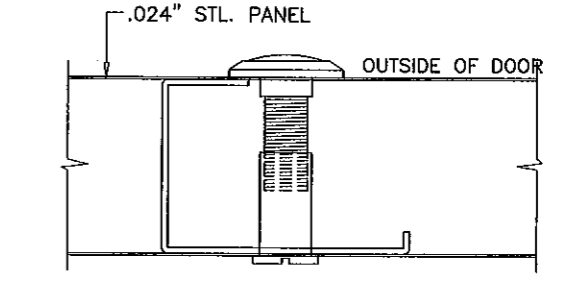
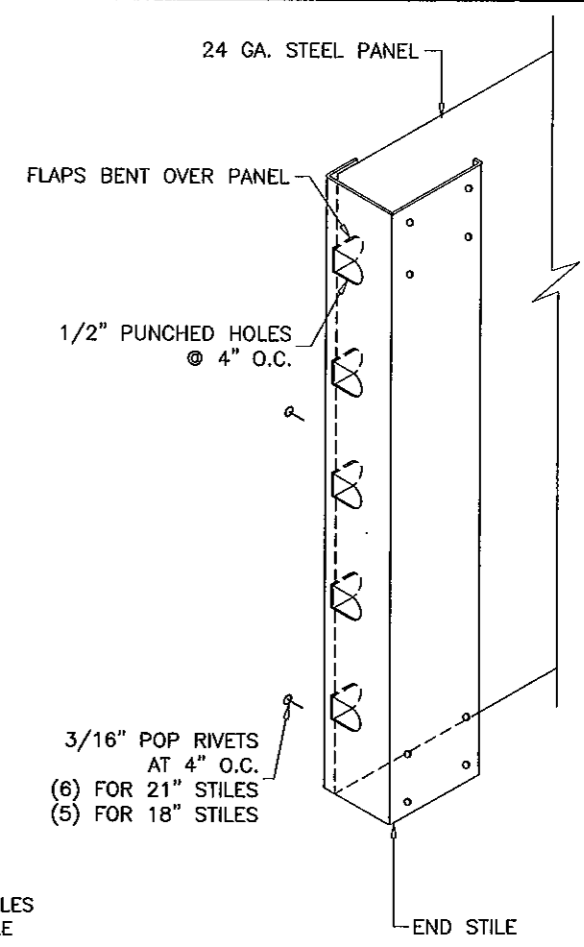
**1ST SECTION (BOTTOM)
REINFORCING**



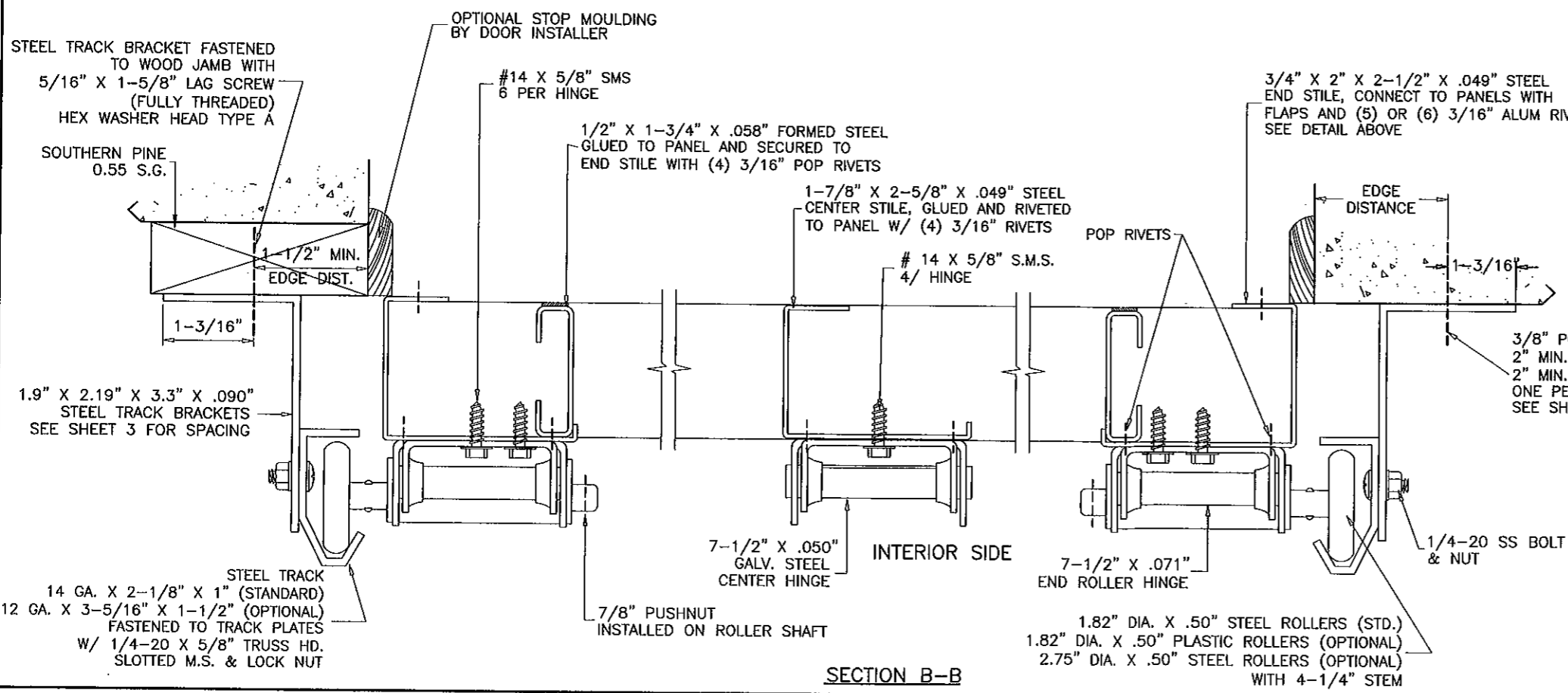
**INTERMEDIATE SECTIONS
REINFORCING**



TOP SECTION



SOLID BRASS DOOR VIEWER
BY 'SCHLAGE SECURITY HARDWARE'
INSTALLED IN 9/16\"/>



SECTION B-B

Engr: JAVAD AHMAD
CIVIL
FLA. PE # 70592
C.A.N. 3538

NOV 07 2011

PRODUCT REVISED
as complying with the Florida
Building Code
Acceptance No. 12-0110-08
Expiration Date 07/21/2015

By: *[Signature]*
Miami Dade Product Control

afC
AL-FAROOQ CORPORATION
ENGINEERS & PRODUCT DEVELOPMENT
1235 S.W. 87 AVE
MIAMI, FLORIDA 33174
TEL. (305) 264-8100 FAX. (305) 262-6978
GARAGE 98-05DAB

24 GA. ROLL FORMED STEEL SECTIONAL GARAGE DR.
DAB DOORS INC.
12195 N.W. 98 TH. AVE.
HIALEAH GARDENS, FL. 33018
TEL. (305) 556 - 6624

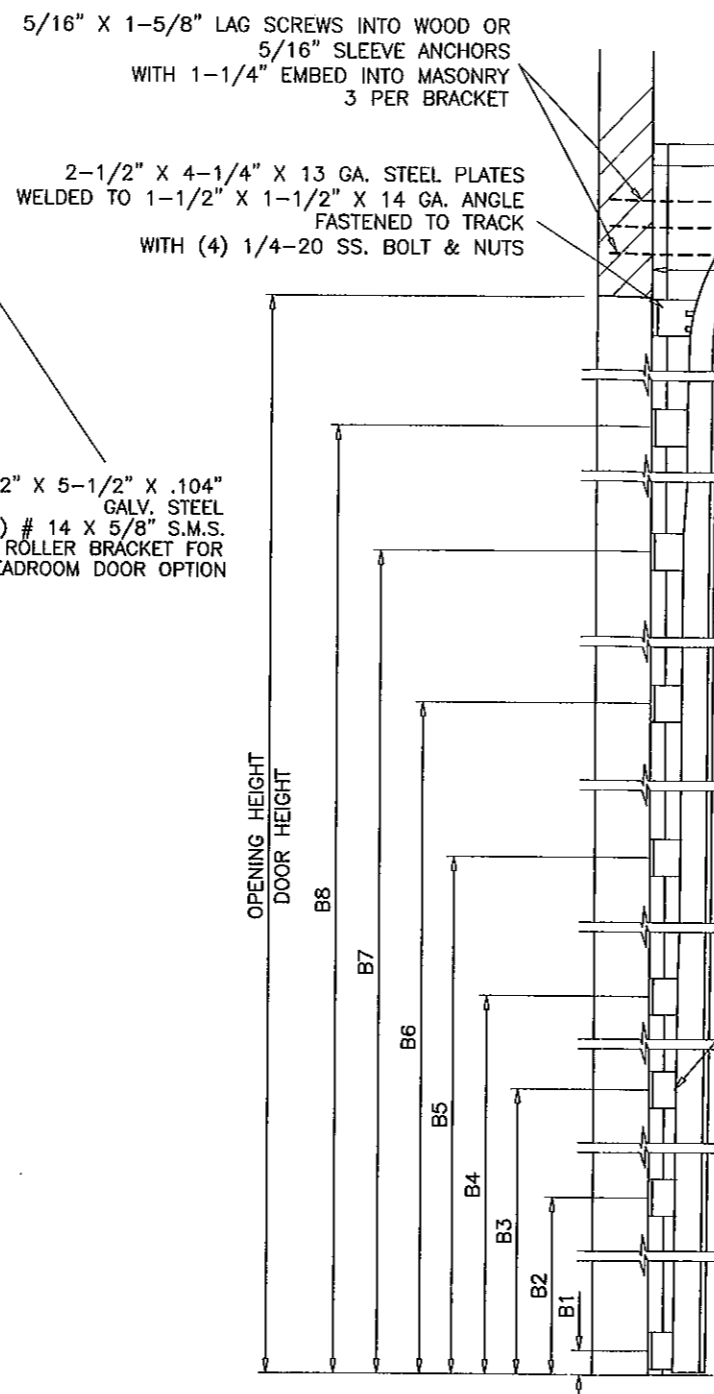
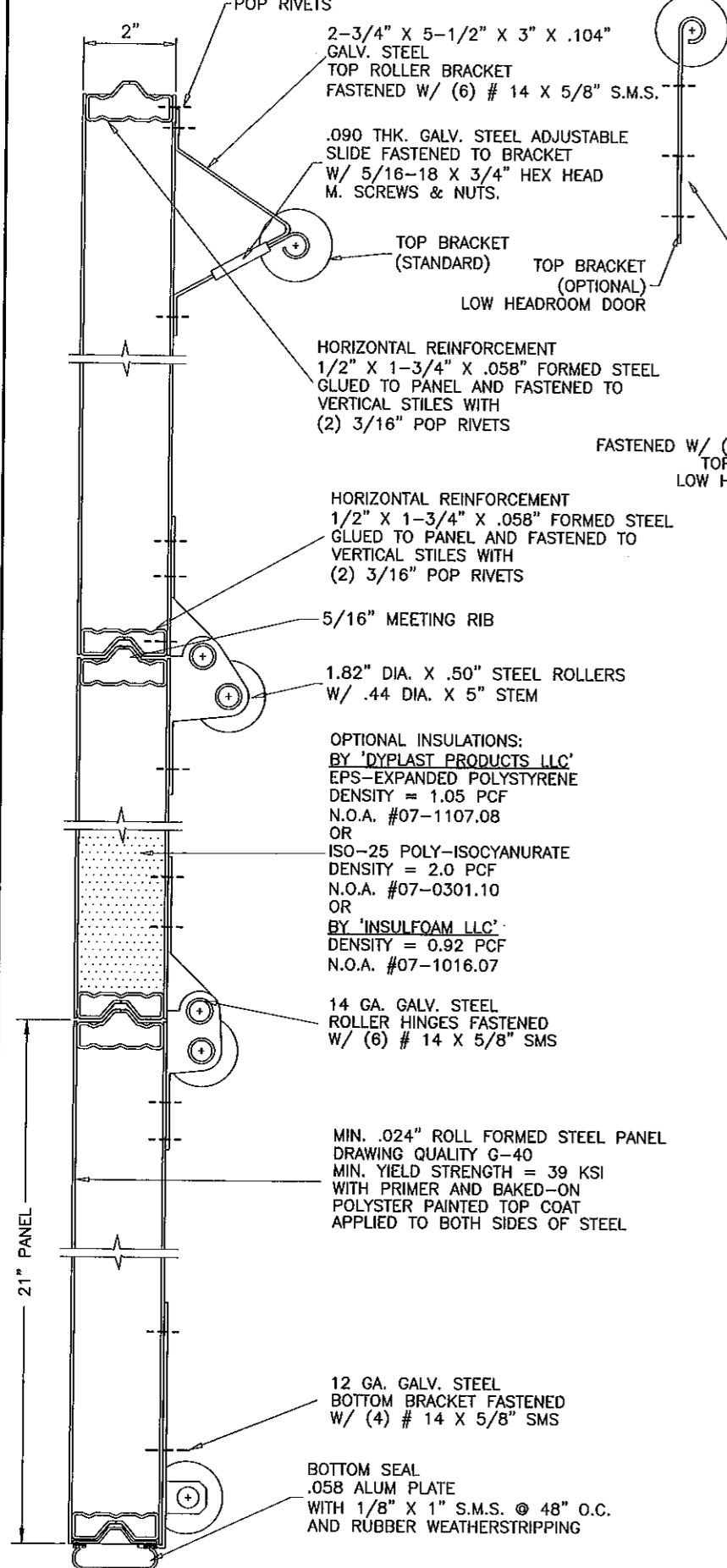
revisions:

no	date	by	description
D	05.20.05	REV. PER BECCO COMMENTS	
E	12.10.08	UPDATED FOR 2007 FBC	
F	01.06.10	ENGR. NAME CHANGED	
G	02.16.11	GENERAL REVISION	
H	10.13.11	NO CHANGE THIS SHEET	

date: 02-23-98
scale: 1
dr. by: HAMID
chk. by:

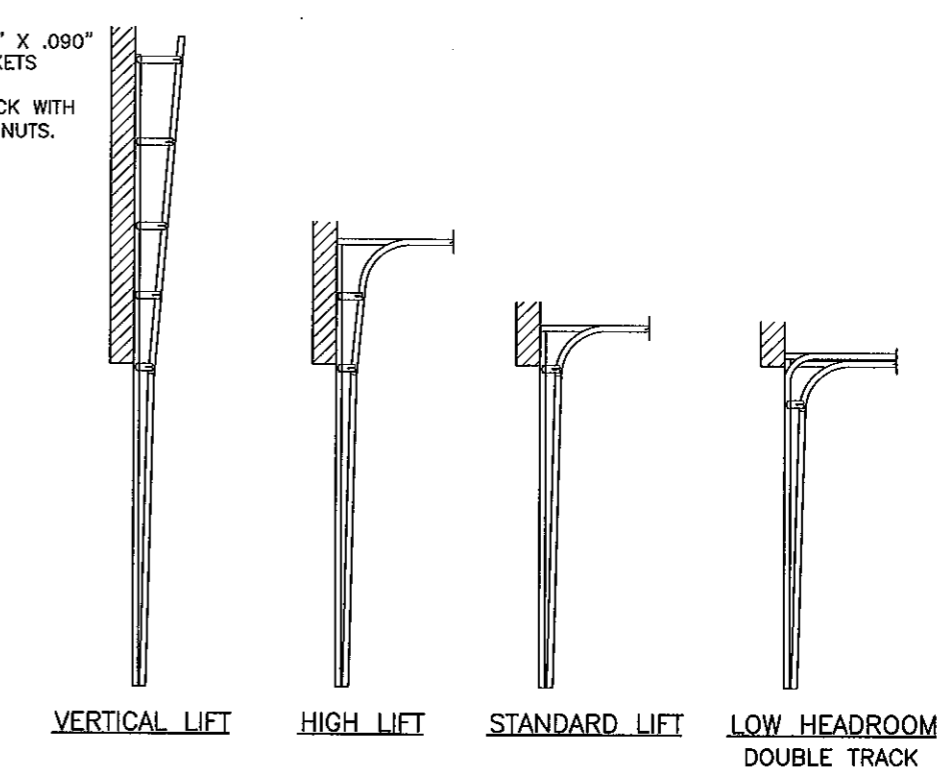
drawing no.
98-05

sheet 3 of 6



DOOR HEIGHT	* SECTION HEIGHTS					BRACKET PLACEMENTS							
	1ST	2ND	3RD	4TH	5TH	B1	B2	B3	B4	B5	B6	B7	B8
6'-0"	18"	18"	18"	18"	N/A	1"	11-3/4"	23"	34"	45"	56"	67"	-
6'-6"	21"	18"	18"	21"	N/A	1"	11-3/4"	23"	34"	45"	56"	67"	-
7'-0"	21"	21"	21"	21"	N/A	1"	11-3/4"	23"	34"	45"	56"	67"	-
7'-6"	18"	18"	18"	18"	18"	1"	11-3/4"	23"	34"	45"	56"	67"	78-1/4"
8'-0"	21"	18"	18"	18"	21"	1"	11-3/4"	23"	34"	45"	56"	67"	78-1/4"

*-SECTIONS ARE NUMBERED STARTING AT THE BOTTOM FOR DOORS MORE THAN 8 FT. HIGH, USE ADDITIONAL TRACK BRACKETS AT 10" O.C.



AVAILABLE TRACK OPTIONS

Engr: JAVAD AHMAD CIVIL
FLA. PE # 70592
C.A.N. 3538

date: 02-23-98
scale: -
dr. by: HAMID
chk. by:

date: 12-01-08
scale: -
dr. by: HAMID
chk. by:

date: 07-07-2011

PRODUCT REVISED
as complying with the Florida Building Code
Acceptance No 12-0119.08
Expiration Date 07/21/2015

By *[Signature]*
Miami Dade Product Control

AL-FAROOQ CORPORATION
ENGINEERS & PRODUCT DEVELOPMENT
1235 S.W. 87 AVE
MIAMI, FLORIDA 33174
TEL. (305) 264-8100 FAX. (305) 262-6978
GARAGE/98-05DAB

24 GA. ROLL FORMED STEEL SECTIONAL GARAGE DR.
DAB DOORS INC.
12195 N.W. 98 TH. AVE.
HIALEAH GARDENS, FL. 33018
TEL. (305) 556 - 6624

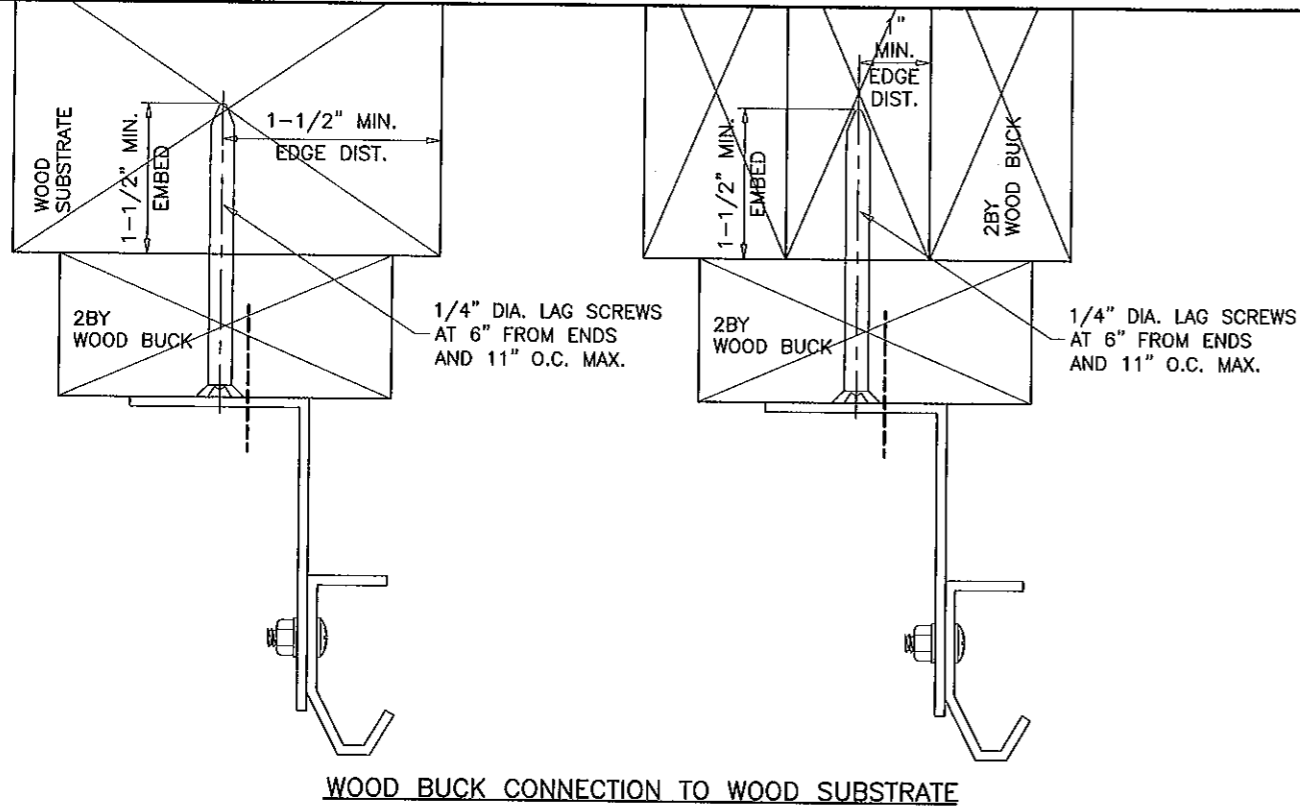
no	date	description
D	05.20.05	REV. PER BCCO COMMENTS
E	12.10.08	UPDATED FOR 2007 FBC
F	01.06.10	ENGR. NAME CHANGED
G	02.16.11	GENERAL REVISION
H	10.13.11	NO CHANGE THIS SHEET

date: 02-23-98
scale: -
dr. by: HAMID
chk. by:

drawing no.
98-05

sheet 4 of 6

SECTION A-A
SEE SHEET 2 FOR LOCATION OF REINFORCING TRUSSES



WOOD BUCK CONNECTION TO WOOD SUBSTRATE

WOOD FRAME BUILDINGS

STUD WALLS OR DOOR OPENING (NOT BY DAB DOORS) SHALL BE FRAMED SOLID BY NOT LESS THAN (3) 2X6 PRESSURE TREATED GRADE 2 SYP OR BETTER WOOD STUDS.
STUD WALLS TO BE CONT. FROM FOOTING TO TIE BEAM. ENGINEER OF RECORD TO VERIFY ADEQUACY OF THE SUPPORTING STRUCTURE.

WOOD BUCK CONNECTION TO MASONRY

TRACK SHALL BE SECURED WITH CONT. STEEL ANGLE TO PRESSURE TREATED 2X6 SYP WOOD JAMBS WHICH SHALL BE ANCHORED TO GROUTED REINFORCED MASONRY BLOCK WALL OR CONC. COLUMN WITH

1/4" ULTRACON BY 'ELCO' WITH SPACING OF 12" O.C. INTO BLOCK WALL, WITH 2-1/4" MIN. EMBED 9" O.C. INTO 3000 PSI CONCRETE, WITH 1-3/4" MIN. EMBED 2-1/2" MIN. EDGE DISTANCE

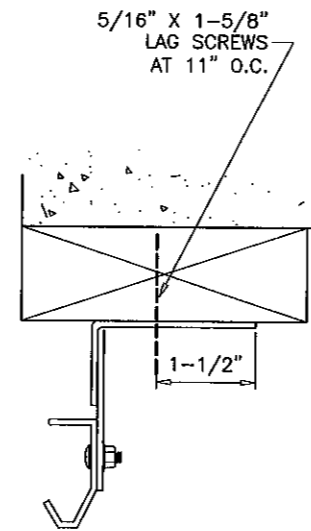
1/4" TAPPER BY 'POWERS' WITH SPACING OF 8" O.C. INTO BLOCK WALL, WITH 1-1/2" MIN. EMBED 9" O.C. INTO 3000 PSI CONCRETE, WITH 1-3/4" MIN. EMBED 3" MIN. EDGE DISTANCE

3/8" CONFLX BY 'ELCO' OR 3/8" LDT BY 'ITW' WITH SPACING OF 21" O.C. INTO 3000 PSI CONCRETE, WITH 2-1/2" MIN. EMBED 3" MIN. EDGE DISTANCE

3/8" HLC SLEEVE BY 'HILTI' WITH SPACING OF 10" O.C. INTO BLOCK WALL, WITH 1-1/4" MIN. EMBED, 4" MIN. EDGE DIST. 11" O.C. INTO 3000 PSI CONCRETE, WITH 1-1/4" MIN. EMBED AND 2-1/2" MIN. EDGE DISTANCE

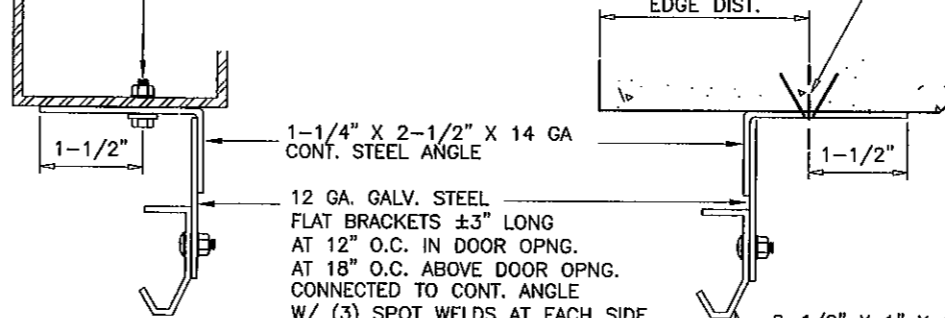
THE BLOCK WALL CELLS SHALL BE GROUT FILLED AND REINFORCED WITH FOUR # 5 BARS EXTENDING INTO FOOTING AND INTO THE BEAMS ALL BARS SHALL BE CONTINUOUS FROM TIE BEAMS TO FOOTING.

PREPARATION OF JAMBS BY OTHERS



STEEL STRUCTURE BY OTHERS MUST SUPPORT THE LOADS IMPOSED BY DOOR SYSTEM

5/16" DIA. BOLTS WITH WASHER & NUT AT 12" O.C. MAX.



ANCHOR SPACING				
ANCHORS	STRUCTURE	EMBED	SPACING	EDGE DIST.
3/8" HLC SLEEVE BY 'HILTI'	CONC.	1-1/4"	8"	2"
3/8" HLC SLEEVE BY 'HILTI'	FILLED BLOCK	1-1/4"	8"	4"
3/8" DYNABOLT BY 'ITW'	CONC.	1-1/2"	8"	3"
1/2" DYNABOLT BY 'ITW'	FILLED BLOCK	1-7/8"	8"	4"
3/8" POWER-BOLT BY 'POWERS'	CONC.	2"	8"	2"
3/8" SLEEVE-ALL BY 'SIMPSONS'	CONC.	1-1/2"	8"	3"

CONCRETE f'c = 3000 PSI MIN.
C-90 GROUT FILLED BLOCK f'm = 2000 PSI MIN.

ALTERNATE TRACK INSTALLATION

Engr: JAVAO AHMAD
CIVIL
FLA. PE # 70592
C.A.N. 3538
NOV 07 2011

PRODUCT REVISED
as complying with the Florida Building Code
Acceptance No 12-0119.08
Expiration Date 07/21/2015
By: *[Signature]*
Miami Dade Product Control

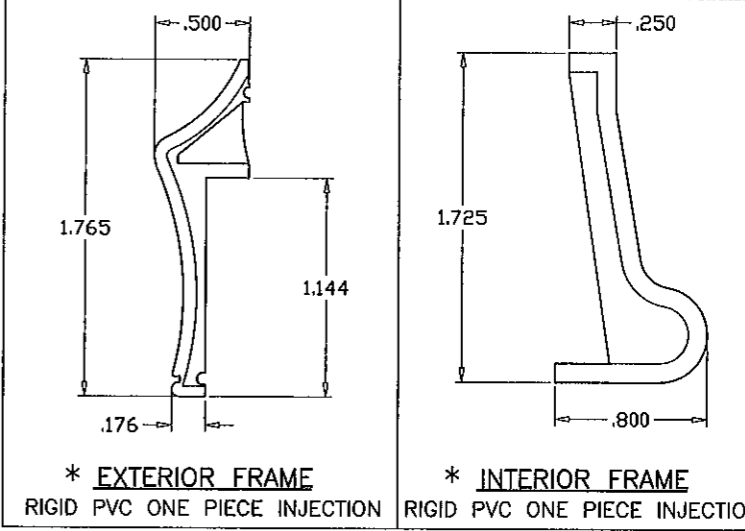
af c
AL-FAROOQ CORPORATION
ENGINEERS & PRODUCT DEVELOPMENT
1235 S.W. 87 AVE
MIAMI, FLORIDA 33174
TEL. (305) 264-8100 FAX. (305) 262-6978
GARAGE 98-05DAB

24 GA. ROLL FORMED STEEL SECTIONAL GARAGE DR.
DAB DOORS INC.
12195 N.W. 98 TH. AVE.
HIALEAH GARDENS, FL. 33018
TEL. (305) 556 - 6624

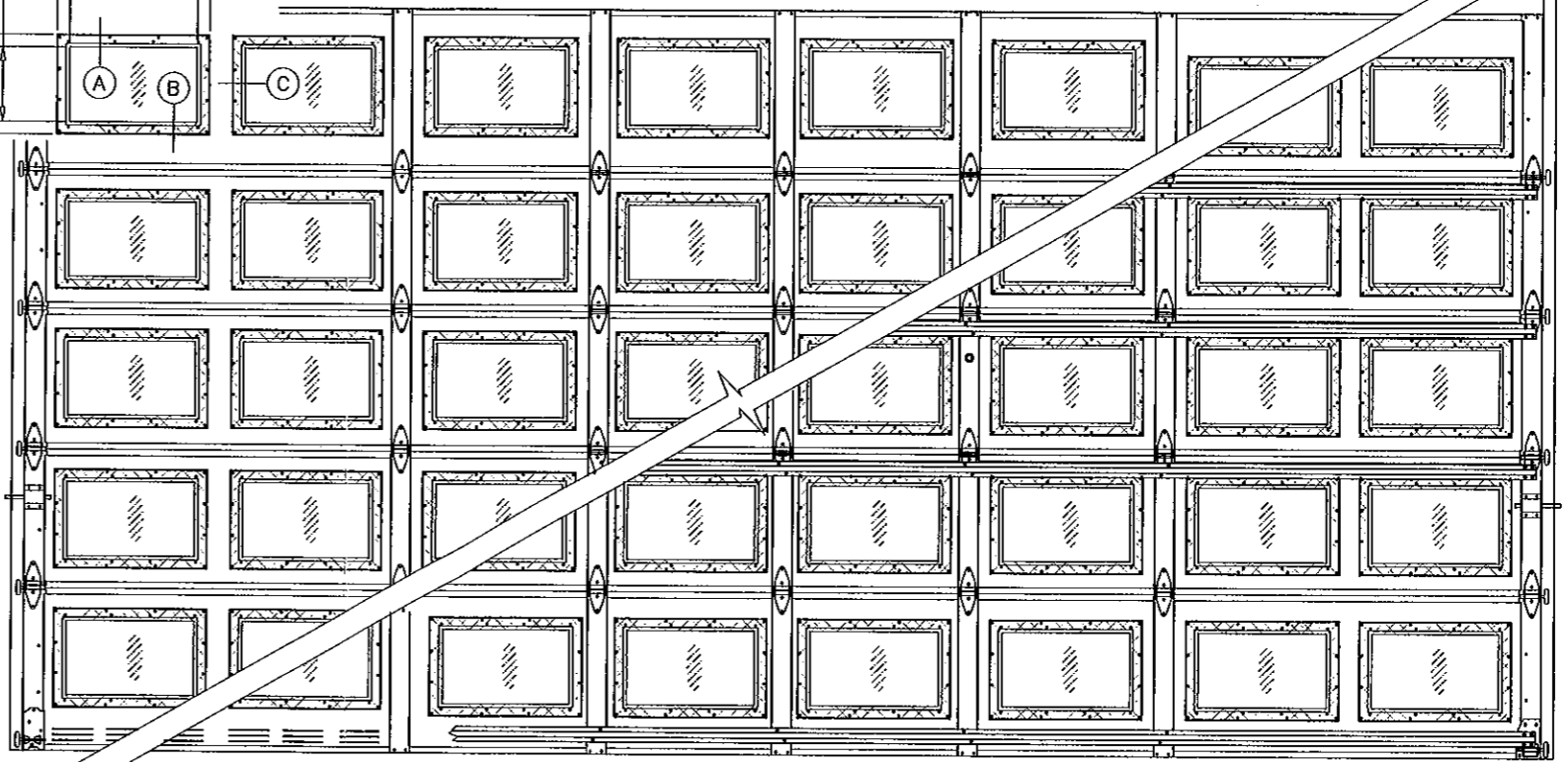
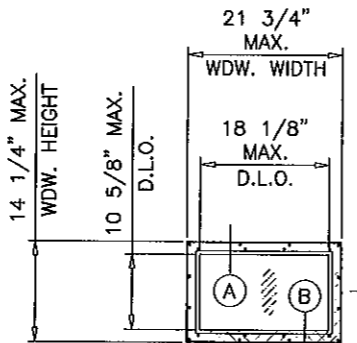
no	date	description
D	05.20.05	REV. PER BOCO COMMENTS
E	12.10.08	UPDATED FOR 2007 FBC
F	01.06.10	ENGR. NAME CHANGED
G	02.16.11	GENERAL REVISION
H	10.13.11	NO CHANGE THIS SHEET

date: 02-23-98
scale: -
dr. by: HAMID
chk. by:
drawing no. 98-05
sheet 5 of 6

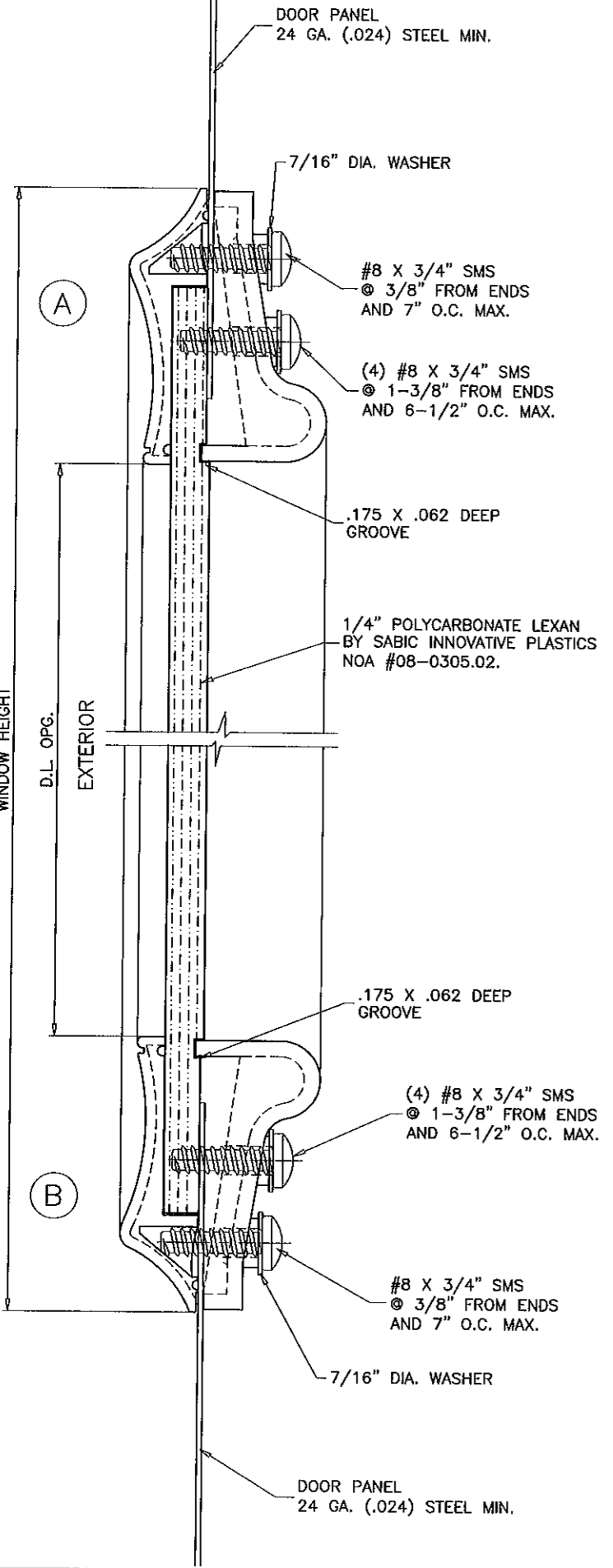
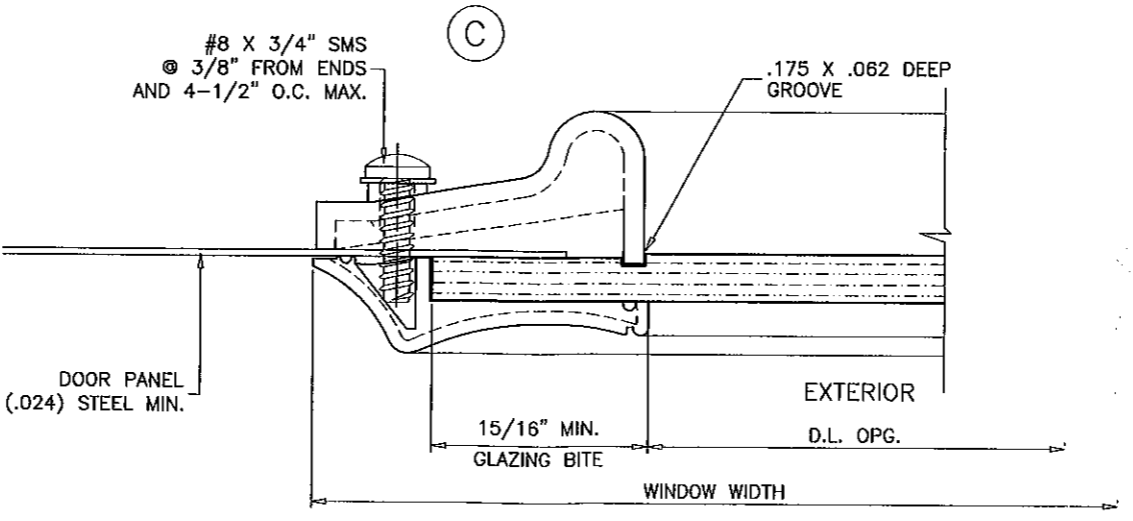
* PLASTIC COMPLIES WITH SECTION 2612 OF FBC 2007
SEE EVIDENCE PAGE



OPTIONAL WINDOW LITES IN ANY LOCATION



INSIDE ELEVATION
RAISED PANEL EMBOSSED DOOR WITH WINDOWS



a f c
AL-FAROOQ CORPORATION
ENGINEERS & PRODUCT DEVELOPMENT
1235 S.W. 87 AVE
MIAMI, FLORIDA 33174
TEL. (305) 264-8100 FAX. (305) 262-6978
GARAGE 98-05DAB

24 GA. ROLL FORMED STEEL SECTIONAL GARAGE DR.
DAB DOORS INC.
12195 N.W. 98 TH. AVE.
HIALEAH GARDENS, FL. 33018
TEL (305) 556 - 6624

no	date	description	BY
D	05.20.05	REV. PER BCCO COMMENTS	
E	12.10.08	UPDATED FOR 2007 FBC	
F	01.06.10	ENGR. NAME CHANGED	
G	02.16.11	NO CHANGE THIS SHEET	
H	10.13.11	NO CHANGE THIS SHEET	

Engr: JAVAD AHMAD
CIVIL
FLA. PE # 70592
C.A.N. 3538
NOV 07 2011

PRODUCT REVISED
as complying with the Florida
Building Code
Acceptance No 12-9119.08
Expiration Date 07/21/2015
By *[Signature]*
Miami Dade Product Control

date: 02-23-98
scale: -
dr. by: HAMID
chk. by:
drawing no.
98-05
sheet 6 of 6