



DEPARTMENT OF PERMITTING, ENVIRONMENT, AND REGULATORY
AFFAIRS (PERA)
BOARD AND CODE ADMINISTRATION DIVISION

MIAMI-DADE COUNTY
PRODUCT CONTROL SECTION
11805 SW 26 Street, Room 208
Miami, Florida 33175-2474
T (786) 315-2590 F (786) 315-2599

www.miamidade.gov/pera/

NOTICE OF ACCEPTANCE (NOA)

DAB Door Company, Inc.
12195 NW 98th Avenue
Hialeah Gardens, FL 33018

SCOPE: This NOA is being issued under the applicable rules and regulations governing the use of construction materials. The documentation submitted has been reviewed and accepted by Miami-Dade County PERA -Product Control Section to be used in Miami Dade County and other areas where allowed by the Authority Having Jurisdiction (AHJ).

This NOA shall not be valid after the expiration date stated below. The Miami-Dade County Product Control Section (In Miami Dade County) and/or the AHJ (in areas other than Miami Dade County) reserve the right to have this product or material tested for quality assurance purposes. If this product or material fails to perform in the accepted manner, the manufacturer will incur the expense of such testing and the AHJ may immediately revoke, modify, or suspend the use of such product or material within their jurisdiction. PERA reserves the right to revoke this acceptance, if it is determined by Miami-Dade County Product Control Section that this product or material fails to meet the requirements of the applicable building code.

This product is approved as described herein, and has been designed to comply with the Florida Building Code, including the High Velocity Hurricane Zone.

DESCRIPTION: Hurricane Master® Model 824/811 Steel Sectional Garage Door 16'-2" Wide x 16'-0" High with Window Lite Option

APPROVAL DOCUMENT: Drawing No. **02-21**, titled "24 GA. Roll Formed Steel Sectional Garage Door", dated 09/10/2002, with last revision G dated 10/13/2011, sheets 1 through 5 of 5, prepared by Al-Farooq Corporation, signed and sealed by Javad Ahmad, P.E., bearing the Miami-Dade County Product Control revision stamp with the Notice of Acceptance number and expiration date by the Miami-Dade County Product Control Section.

MISSILE IMPACT RATING: Large and Small Missile Impact Resistant

LABELING: A permanent label with the manufacturer's name or logo, manufacturing address, model/series number, the positive and negative design pressure rating, indicate impact rated if applicable, installation instruction drawing reference number, approval number (NOA), the applicable test standards, and the statement reading 'Miami-Dade County Product Control Approved' is to be located on the door's side track, bottom angle, or inner surface of a panel.

RENEWAL of this NOA shall be considered after a renewal application has been filed and there has been no change in the applicable building code negatively affecting the performance of this product.

TERMINATION of this NOA will occur after the expiration date or if there has been a revision or change in the materials, use, and/or manufacture of the product or process. Misuse of this NOA as an endorsement of any product, for sales, advertising or any other purposes shall automatically terminate this NOA. Failure to comply with any section of this NOA shall be cause for termination and removal of NOA.

ADVERTISEMENT: The NOA number preceded by the words Miami-Dade County, Florida, and followed by the expiration date may be displayed in advertising literature. If any portion of the NOA is displayed, then it shall be done in its entirety.

INSPECTION: A copy of this entire NOA shall be provided to the user by the manufacturer or its distributors and shall be available for inspection at the job site at the request of the Building Official.

This NOA **revises** NOA # **11-0414.12** and consists of this page 1 and evidence pages E-1 and E-2, as well as approval document mentioned above.

The submitted documentation was reviewed by **Carlos M. Utrera, P.E.**



[Signature]
102/23/2012

NOA No. 12-0110.14
Expiration Date: July 21, 2015
Approval Date: March 1, 2012
Page 1

NOTICE OF ACCEPTANCE: EVIDENCE SUBMITTED

A. DRAWINGS

1. Drawing No. **02-21**, titled "24 GA. Roll Formed Steel Sectional Garage Door", dated 09/10/2002, with last revision G dated 10/13/2011, sheets 1 through 5 of 5, prepared by Al-Farooq Corporation, signed and sealed by Javad Ahmad, P.E.

B. TESTS "Submitted under NOA # 11-0414.12"

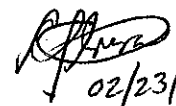
1. Test Report on Uniform Static Air Pressure Test, Loading and Forced Entry Test per FBC, TAS 202-94, of "DAB 824 Sectional Residential Garage Door" prepared by Hurricane Engineering & Testing Inc., Report No. **HETI-07-4200**, dated 05/02/2007, signed and sealed by Candido F. Font, P.E.
2. Test Report on Large Missile Impact Test per FBC, TAS 201-94 and Cyclic Wind Pressure Test per FBC, TAS 203-94, of "DAB 824 Sectional Residential Garage Door", prepared by Hurricane Engineering & Testing Inc., Report No. **HETI-11-3204**, dated 01/20/2011, signed and sealed by Candido F. Font, P.E.
3. Test Report on Tensile Test per ASTM E8-08 of "Sectional Residential Door (skin)", prepared by Hurricane Engineering & Testing Inc, Report No. **HETI-11-T100**, dated 01/21/2011, signed and sealed by Candido F. Font, P.E.

"Submitted under NOA # 05-0228.02"

4. Test Report on Large Missile Impact Test and Cyclic Wind Pressure Test, of "Sectional Residential Door with Windows", prepared by Hurricane Engineering & Testing Inc., Report No. **HETI 03-1328**, dated 07/15/03, signed and sealed by Rafael E. Droz-Seda, P.E.
5. Test Report on Uniform Static Air Pressure Test, of "Sectional Residential Door" prepared by Hurricane Engineering & Testing Inc., Report No. **HETI 03-1329**, dated 07/15/03, signed and sealed by Rafael E. Droz-Seda, P.E.
6. Test Report on Tensile Test per ASTM E-8 of "Sectional Residential Door (skin)", prepared by Hurricane Engineering & Testing Inc, Report No. **HETI 03-T078**, dated 10/31/03, signed and sealed by Rafael E. Droz-Seda, P.E.

"Submitted under NOA # 03-0210.04"

7. Test report on Salt Spray (Corrosion) Test per ASTM B 117 of a painted G-40 steel panels, prepared by Celotex Corporation, Test Report No. **258592**, dated 08/17/1998, signed by W. A. Jackson, P.E.


02/23/2012

Carlos M. Utrera, P.E.

Product Control Examiner

NOA No. 12-0110.14

Expiration Date: July 21, 2015

Approval Date: March 1, 2012

NOTICE OF ACCEPTANCE: EVIDENCE SUBMITTED

C. CALCULATIONS “Submitted under NOA # 11-0414.12”

1. Anchor verification calculations prepared by Al-Farooq Corporation, complying with F.B.C 2007, dated 04/07/2011, signed and sealed by Javad Ahmad, P.E.
2. Anchor verification calculations prepared by Al-Farooq Corporation, complying with F.B.C 2007, dated 12/19/2008, signed and sealed by Humayoun Farooq, P.E.
“Submitted under NOA # 09-0128.02”

D. QUALITY ASSURANCE

1. Miami-Dade Department of Permitting, Environment, and Regulatory Affairs (PERA)

E. MATERIAL CERTIFICATIONS

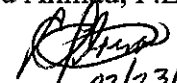
1. Notice of Acceptance No. **08-0305.02**, issued to SABIC Innovative Plastics, for their Lexan Sheet Products, approved on 04/24/2008 and expiring on 07/17/2013.
2. Notice of Acceptance No. **07-1016.07**, issued to Insulfoam, LLC, for their Insulfoam Expanded Polystyrene Insulation, approved on 11/29/2007 and expiring on 11/29/2012.
3. Notice of Acceptance No. **11-0926.07**, issued to Dyplast Products, LLC, for their Expanded Polystyrene Block Type Insulation, approved on 11/10/2011 and expiring on 01/11/2017.
4. Notice of Acceptance No. **11-0926.06**, issued to Dyplast Products, LLC, for their Dyplast ISO-C1 Polyisocyanurate Insulation, approved on 11/10/2011 and expiring on 01/11/2017.

“Submitted under NOA # 05-0228.02”

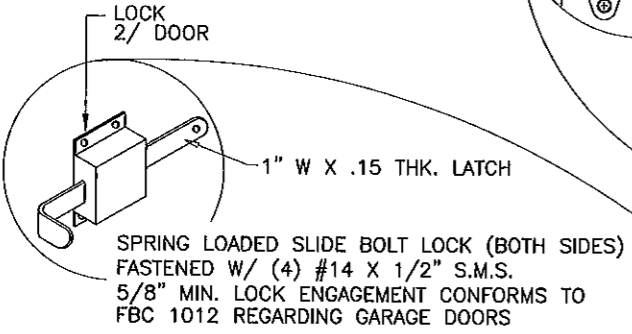
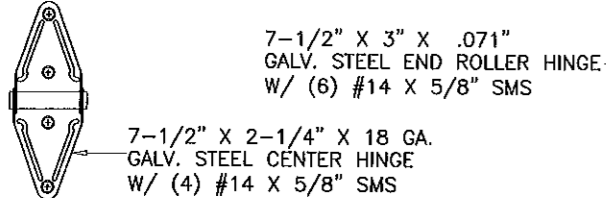
1. Test Report on Accelerated Weathering Using Xenon Arc Light Apparatus Test per ASTM G155 of “PVC Extrusion Material”, prepared by Hurricane Engineering & Testing, Inc., Report No. **HETI 04-A002**, dated 09/27/2004, signed and sealed by Rafael E. Droz-Seda, P.E.
2. Test Reports on Tensile Test per ASTM D638 of “PVC Extrusion Material”, prepared by Hurricane Engineering & Testing Inc., Report No. **HETI 04-T251**, dated 11/29/2004 signed and sealed by I. Ghia, P.E.
3. Test Report on Self-Ignition Temperature Test, Rate of Burn Test and Smoke Density Test of “REHAU non-foam PVC extrusion material”, prepared by ETC Laboratories, Report No. **04-761-15019.0**, dated 05/06/2004, signed and sealed by J. L. Doldan, P.E.

F. STATEMENTS

1. Statement letter of code conformance to 2010 FBC and no financial interest issued by Al-Farooq Corporation, dated 10/26/2011, signed and sealed by Javad Ahmad, P.E.

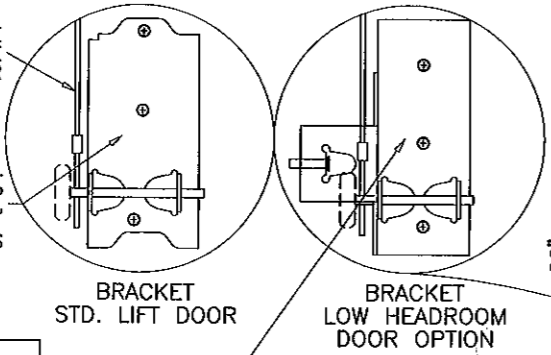

02/23/2012

Carlos M. Utrera, P.E.
Product Control Examiner
NOA No. 12-0110.14
Expiration Date: July 21, 2015
Approval Date: March 1, 2012



.158 DIA. GALV. AIRCRAFT TYPE CABLE & NICO-PRESS SLEEVE W/ MIN. 5 TO 1 SAFETY FACTOR

2-3/4" W X 5-5/8" H X .090" THK. STEEL PLATE, 1-3/8" DEEP WITH (3) #14 X 3/4" SELF DRILLING SCREWS



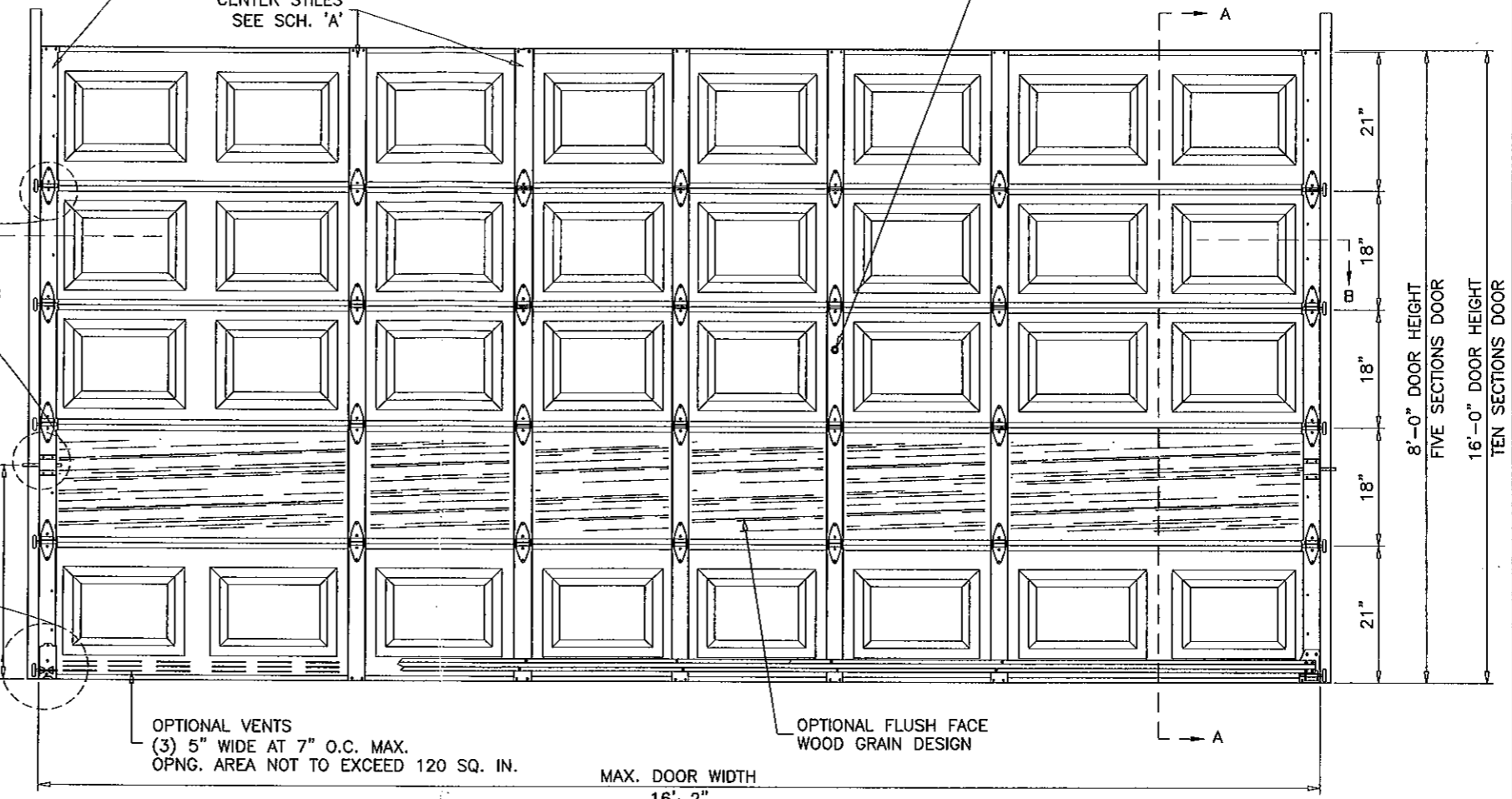
7-7/8" X 3-1/8" X .010" STEEL PLATE WITH (4) #14 X 3/4" SDS

PUSH NUT

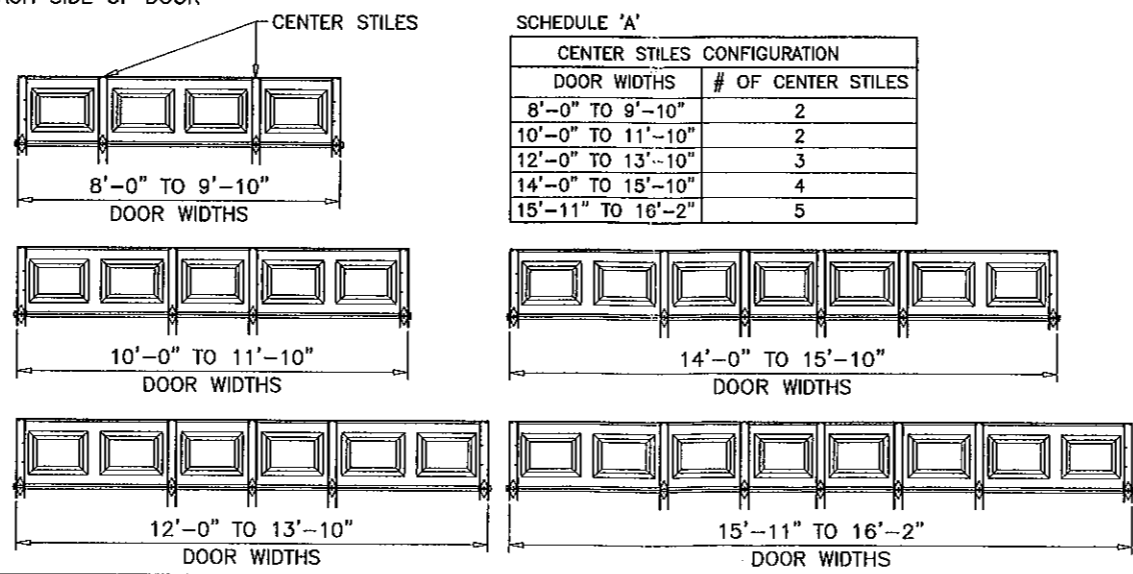
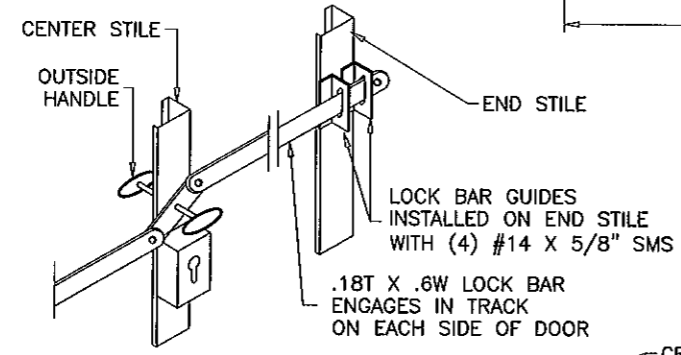
TOP FIXTURE 5-1/2" X 2-3/4" X 0.1" STEEL PLATE WITH ONE 5/16-18 MS W/ NUT FASTENED TO END STILE WITH (6) #14 X 3/4" SELF DRILLING SCREWS SEE SHEET 3 FOR TOP BRACKET OPTIONS

OPTIONAL DOOR VIEWER TO BE INSTALLED AT ANY CENTER STILE

CENTER STILES SEE SCH. 'A'



DOOR HEIGHT	CONSISTS OF	
6'-6"	2 SECTIONS 18"	2 SECTIONS 21"
6'-9"	1 SECTION 18"	3 SECTIONS 21"
7'	4 SECTIONS 21"	-
7'-3"	-	-
7'-6"	5 SECTIONS 18"	-
7'-9"	4 SECTIONS 18"	1 SECTION 21"
8'	3 SECTIONS 18"	2 SECTIONS 21"
8'-3"	2 SECTIONS 18"	3 SECTIONS 21"
8'-6"	1 SECTION 18"	4 SECTIONS 21"
8'-9"	5 SECTIONS 21"	-
9'	6 SECTIONS 18"	-
9'-3"	5 SECTIONS 18"	1 SECTION 21"
9'-6"	4 SECTIONS 18"	2 SECTIONS 21"
9'-9"	3 SECTIONS 18"	3 SECTIONS 21"
10'	2 SECTIONS 18"	4 SECTIONS 21"
10'-3"	1 SECTION 18"	5 SECTIONS 21"
10'-6"	6 SECTIONS 21"	-
10'-9"	6 SECTIONS 18"	1 SECTION 21"
11'	5 SECTIONS 18"	2 SECTIONS 21"
11'-3"	4 SECTIONS 18"	3 SECTIONS 21"
11'-6"	3 SECTIONS 18"	4 SECTIONS 21"
11'-9"	2 SECTIONS 18"	5 SECTIONS 21"
12'	1 SECTIONS 18"	6 SECTIONS 21"
12'-3"	7 SECTIONS 21"	-
12'-6"	6 SECTIONS 18"	2 SECTIONS 21"
12'-9"	5 SECTIONS 18"	3 SECTIONS 21"
13'	4 SECTIONS 18"	4 SECTIONS 21"
13'-3"	3 SECTIONS 18"	5 SECTIONS 21"
13'-6"	2 SECTIONS 18"	6 SECTIONS 21"
13'-9"	1 SECTION 18"	7 SECTIONS 21"
14'	8 SECTIONS 21"	-
14'-3"	6 SECTIONS 18"	3 SECTIONS 21"
14'-6"	5 SECTIONS 18"	4 SECTIONS 21"
14'-9"	4 SECTIONS 18"	5 SECTIONS 21"
15'	3 SECTIONS 18"	6 SECTIONS 21"
15'-3"	2 SECTIONS 18"	7 SECTIONS 21"
15'-6"	1 SECTION 18"	8 SECTIONS 21"
15'-9"	9 SECTIONS 21"	-
16'	6 SECTIONS 18"	4 SECTIONS 21"



INSIDE ELEVATION RAISED PANEL EMBOSSED DOOR

THIS PRODUCT IS RATED FOR LARGE MISSILE IMPACT

DAB DOORS INC.
Hurricane Master® Model 824/811
Max. Size 16'-2" X 16'-0" High
With Window Lite Option

DESIGN PRESSURE RATING = + 36.0 PSF
- 44.0 PSF

GENERAL NOTES

1. THIS PRODUCT HAS BEEN DESIGNED AND TESTED TO COMPLY WITH THE REQUIREMENTS OF THE FLORIDA BUILDING CODE 2010 EDITION INCLUDING HIGH VELOCITY HURRICANE ZONE.
2. ANCHORS SHALL BE AS LISTED, SPACED AS SHOWN ON DETAILS. ANCHOR EMBEDMENT TO BASE MATERIAL SHALL BE BEYOND WALL DRESSING OR STUCCO.
3. ALL BOLTS, NUTS AND WASHERS SHALL BE ZINC PLATED CARBON STEEL.
4. ANCHORING OR LOADING CONDITIONS OTHER THAN THOSE SHOWN IN THESE DETAILS ARE NOT PART OF THIS APPROVAL.
5. A LOAD DURATION INCREASE IS USED IN DESIGN OF ANCHORS INTO WOOD ONLY.

Engr: JAVAD AHMAD
CIVIL
FLA. PE # 70592
C.A.N. 3538

NOV 21 2011

PRODUCT REVISED as complying with the Florida Building Code
Acceptance No 12-0110.14
Expiration Date 07/21/2015

By *[Signature]*
Miami Dade Product Control

af c

AL-FAROOQ CORPORATION
ENGINEERS & PRODUCT DEVELOPMENT
1235 S.W. 87 AVE
MIAMI, FLORIDA 33174
TEL (305) 264-8100 FAX (305) 262-6978
GARAGE\02-21DAB

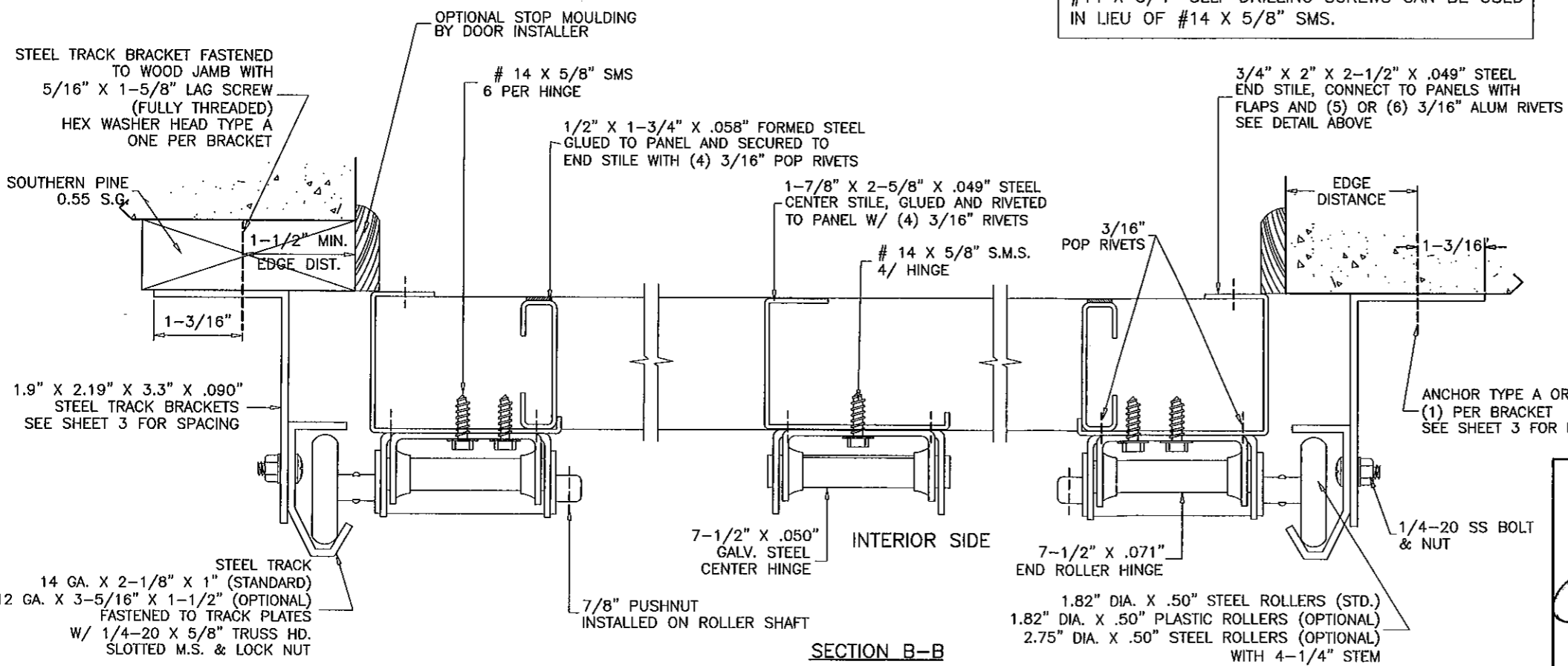
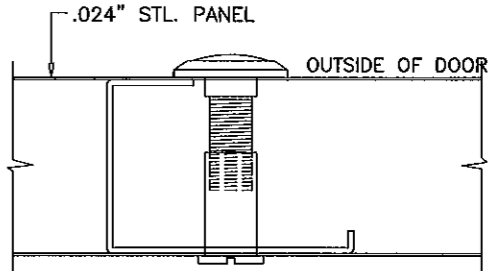
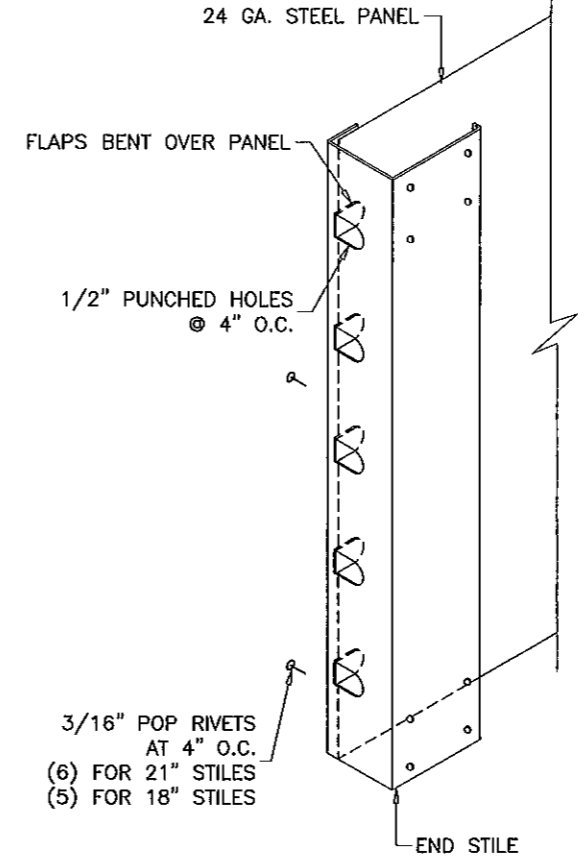
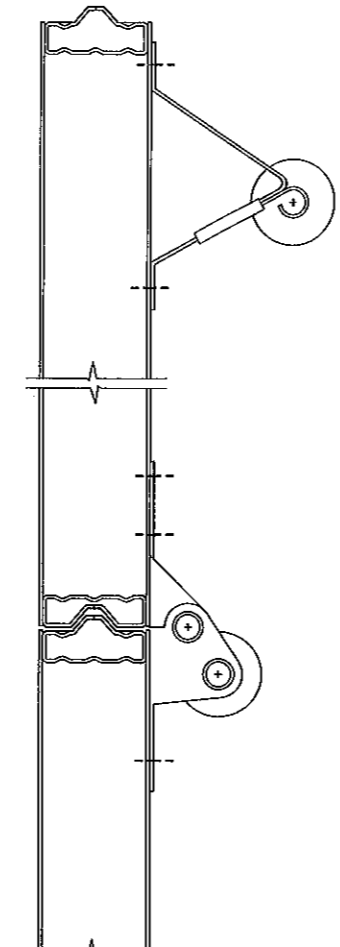
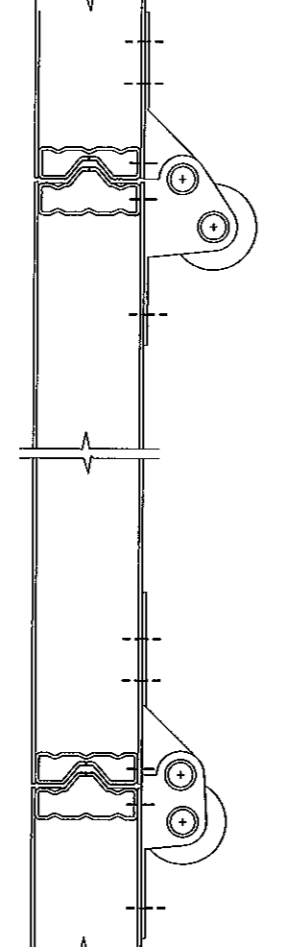
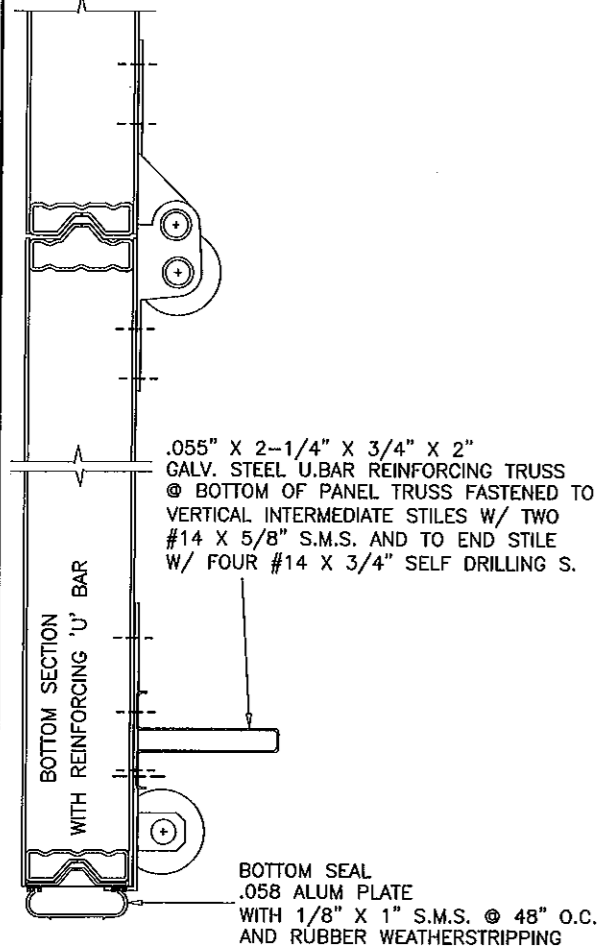
24 GA. ROLL FORMED STEEL SECTIONAL GARAGE DR.

DAB DOORS INC.
12195 N.W. 98 TH. AVE.
HIALEAH GARDENS, FL. 33018
TEL (305) 556 - 6624

REV. NO.	DATE	DESCRIPTION
C	05.20.05	REV. PER BCCO COMMENTS
D	12.17.08	UPDATED FOR 2007 FBC
E	01.06.10	ENGR. NAME CHANGED
F	02.16.11	GENERAL REVISION
G	10.13.11	UPDATED TO 2010 FBC

date: 09-10-02
scale: 1/2"=1'-0"
dr. by: HAMID
chk. by:

drawing no. 02-21
sheet 1 of 5



#14 X 3/4" SELF DRILLING SCREWS CAN BE USED
IN LIEU OF #14 X 5/8" SMS.

- ANCHORS:**
- 3/8" DIA. POWER-BOLT BY 'POWERS'**
- A) 2" MIN. EMBED INTO CONCRETE (3000 PSI MIN.)
2" MIN. EDGE DISTANCE
- 3/8" DIA. HLC SLEEVE BY 'HILTI'**
- B) 1-1/4" MIN. EMBED INTO CONCRETE OR FILLED BLOCK
2-1/4" MIN. EDGE DISTANCE INTO CONCRETE
4" MIN. EDGE DISTANCE INTO FILLED BLOCK
- CONCRETE f'c = 3000 PSI MIN.
C-90 GROUT FILLED BLOCK f'm = 2000 PSI MIN.

Engr: JAVAD AHMAD
CIVIL
FLA. PE # 70592
C.A.N. 3538

NOV 07 2011

PRODUCT REVISED
as complying with the Florida
Building Code
Acceptance No 12-9110, 14
Expiration Date 07/21/2015

By *[Signature]*
Miami Trade Product Control

af c

AL-FAROOQ CORPORATION
ENGINEERS & PRODUCT DEVELOPMENT
1235 S.W. 87 AVE
MIAMI, FLORIDA 33174
TEL (305) 264-8100 FAX (305) 262-6978
GARAGE\02-21DAB

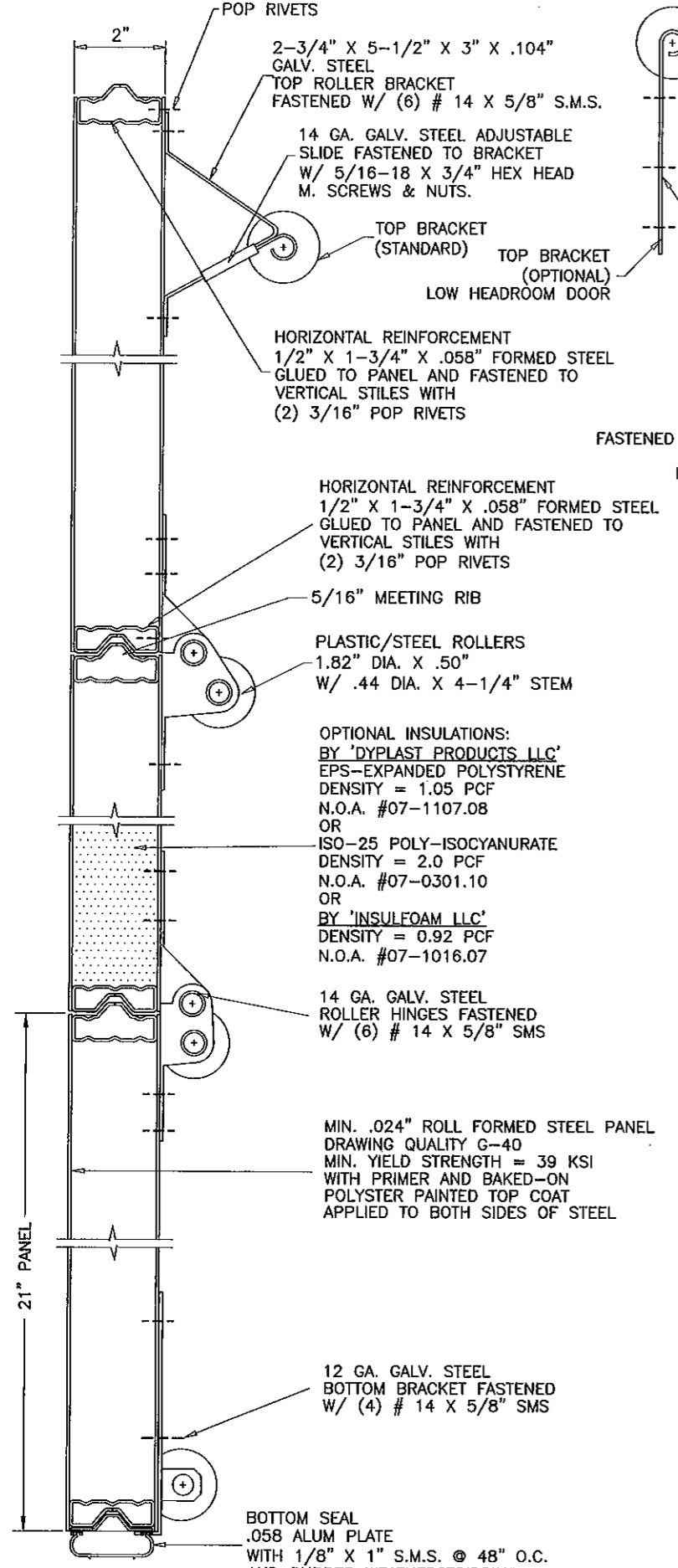
24 GA. ROLL FORMED STEEL SECTIONAL GARAGE DR.
DAB DOORS INC.
12195 N.W. 98 TH. AVE.
HIALEAH GARDENS, FL. 33018
TEL (305) 556 - 6624

no	date	description	by	rev. per BCCO COMMENTS
C	05.20.05	REV. PER BCCO COMMENTS		
D	12.17.08	UPDATED FOR 2007 FBC		
E	01.06.10	ENGR. NAME CHANGED		
F	02.16.11	GENERAL REVISION		
G	10.13.11	NO CHANGE THIS SHEET		

date: 09-10-02
scale: -
dr. by: HAMID
chk. by:

drawing no.
02-21

sheet 2 of 5

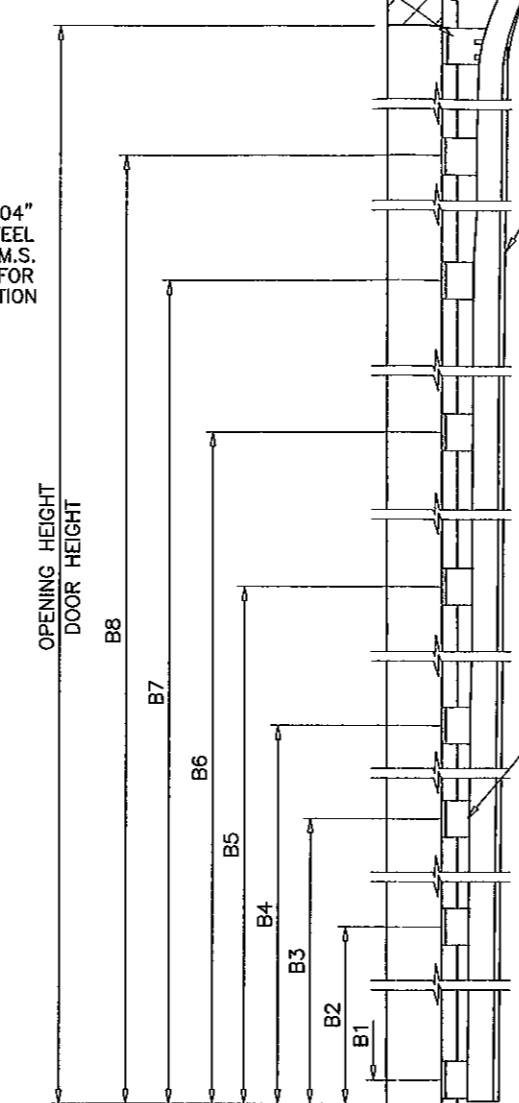


5/16" X 1-5/8" LAG SCREWS INTO WOOD OR 5/16" SLEEVE ANCHORS WITH 1-1/4" EMBED INTO MASONRY 3 PER BRACKET
2-1/2" X 4-1/4" X 13 GA. STEEL PLATES WELDED TO 1-1/2" X 1-1/2" X 14 GA. ANGLE FASTENED TO TRACK WITH (4) 1/4"-20 SS. BOLT & NUTS

2" X 5-1/2" X .104" GALV. STEEL FASTENED W/ (4) # 14 X 5/8" S.M.S. TOP ROLLER BRACKET FOR LOW HEADROOM DOOR OPTION

HORIZ. TRACK SUPPORT, CENTER SUPPORT REQD. ON DOORS EXCEEDING 8 FT. IN HEIGHT
HORIZ. TRACK LENGTH = OPENING HEIGHT PLUS 12"

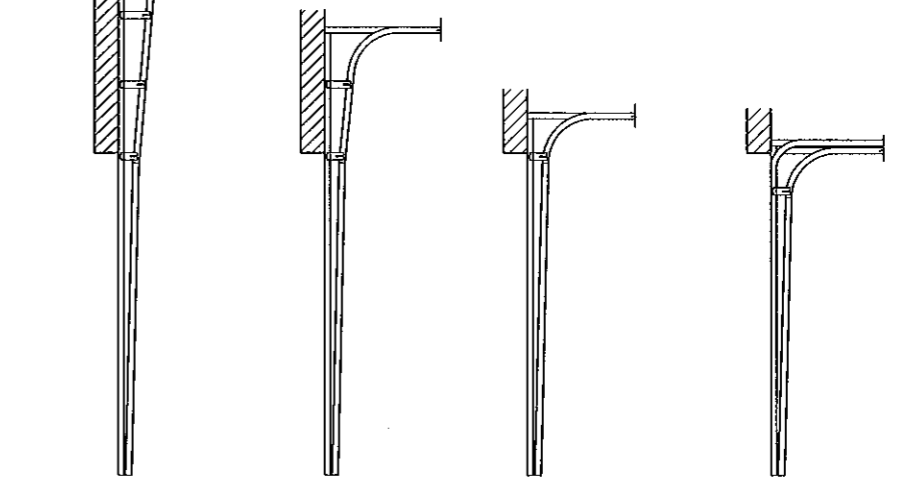
2 X 2 X 1/8" HORIZ. ANGLE SPOT WELDED TO HORIZ. TRACK WITH TWO WELDS AT 1-1/2" APART FIRST AT 3" O.C. REST AT 9" O.C. CONNECTED TO FLAG BRACKET ANGLE W/ 3/8-16 X 3/4" BOLT & NUT AND TO SPRING SHAFT GUIDE WITH (2) 1/4-20 X 5/8" BOLT & NUT



DOOR HEIGHT	* SECTION HEIGHTS					BRACKET PLACEMENTS							
	1ST	2ND	3RD	4TH	5TH	B1	B2	B3	B4	B5	B6	B7	B8
6'-0"	18"	18"	18"	18"	N/A	1"	11-3/4"	23"	34"	45"	56"	67"	-
6'-6"	21"	18"	18"	21"	N/A	1"	11-3/4"	23"	34"	45"	56"	67"	-
7'-0"	21"	21"	21"	21"	N/A	1"	11-3/4"	23"	34"	45"	56"	67"	-
7'-6"	18"	18"	18"	18"	18"	1"	11-3/4"	23"	34"	45"	56"	67"	78-1/4"
8'-0"	21"	18"	18"	18"	21"	1"	11-3/4"	23"	34"	45"	56"	67"	78-1/4"

*-SECTIONS ARE NUMBERED STARTING AT THE BOTTOM FOR DOORS MORE THAN 8 FT. HIGH, USE ADDITIONAL TRACK BRACKETS AT 10" O.C.

1.9" X 2.19" X 3.3" X .090" STEEL TRACK BRACKETS 2-3/16" HIGH CONNECTED TO TRACK WITH (1) 1/4" BOLTS & NUTS.



AVAILABLE TRACK OPTIONS

Engr: JAVAD AHMAD CIVIL
FLA. PE # 70592
C.A.N. 3538

NOV 07 2011

PRODUCT REVISED as complying with the Florida Building Code
Acceptance No 12-0110.14
Expiration Date 07/21/2015
By: *[Signature]*
Miami Data Product Control

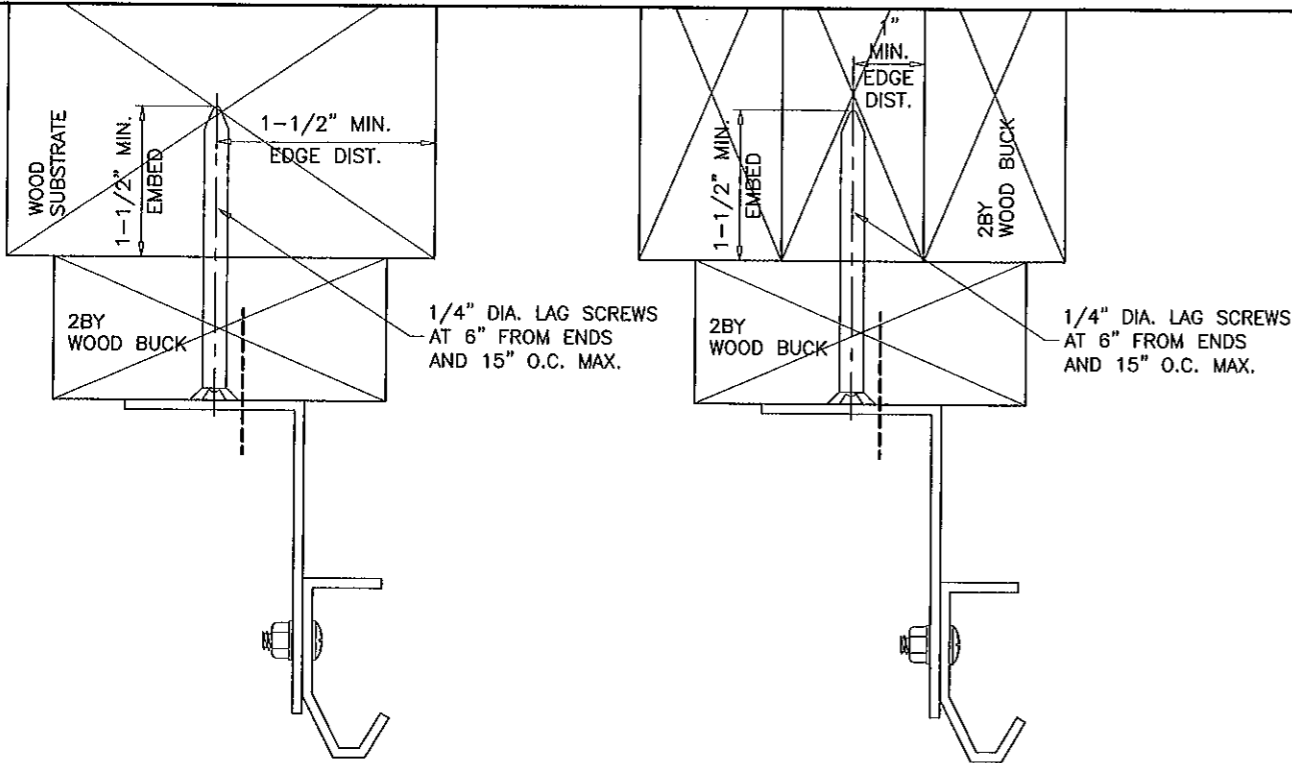
af c
AL-FAROOQ CORPORATION
ENGINEERS & PRODUCT DEVELOPMENT
1235 S.W. 87 AVE
MIAMI, FLORIDA 33174
TEL (305) 264-8100 FAX (305) 262-6978
GARAGE\02-21DAB

24 GA. ROLL FORMED STEEL SECTIONAL GARAGE DR.
DAB DOORS INC.
12195 N.W. 98 TH. AVE.
HIALEAH GARDENS, FL. 33018
TEL (305) 556 - 6624

revisions:	no	date	by	description
	C	05.20.05	REV. PER BCCO COMMENTS	
	D	12.17.08	UPDATED FOR 2007 FBC	
	E	01.06.10	ENGR. NAME CHANGED	
	F	02.16.11	GENERAL REVISION	
	G	10.13.11	NO CHANGE THIS SHEET	

date: 09-10-02
scale: -
dr. by: HAMID
chk. by:
drawing no. 02-21
sheet 3 of 5

SECTION A-A
SEE SHEET 2 FOR LOCATION OF REINFORCING TRUSSES



WOOD BUCK CONNECTION TO WOOD SUBSTRATE

WOOD FRAME BUILDINGS

STUD WALLS OR DOOR OPENING (NOT BY DAB DOORS) SHALL BE FRAMED SOLID BY NOT LESS THAN (3) 2X6 PRESSURE TREATED GRADE 2 SYP OR BETTER WOOD STUDS.
STUD WALLS TO BE CONT. FROM FOOTING TO TIE BEAM.
ENGINEER OF RECORD TO VERIFY ADEQUACY OF THE SUPPORTING STRUCTURE.

WOOD BUCK CONNECTION TO MASONRY

TRACK SHALL BE SECURED WITH CONT. STEEL ANGLE TO PRESSURE TREATED 2X6 SYP WOOD JAMBS WHICH SHALL BE ANCHORED TO GROUTED REINFORCED MASONRY BLOCK WALL OR CONC. COLUMN WITH

1/4" ULTRACON BY 'ELCO' WITH SPACING OF 16" O.C. INTO BLOCK WALL, WITH 2-1/4" MIN. EMBED
13" O.C. INTO 3000 PSI CONCRETE, WITH 1-3/4" MIN. EMBED
2-1/2" MIN. EDGE DISTANCE

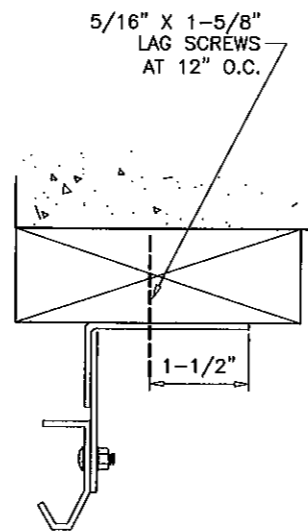
1/4" TAPPER BY 'POWERS' WITH SPACING OF 11" O.C. INTO BLOCK WALL, WITH 1-1/2" MIN. EMBED
13" O.C. INTO 3000 PSI CONCRETE, WITH 1-3/4" MIN. EMBED
3" MIN. EDGE DISTANCE

3/8" CONFLX BY 'ELCO' OR 3/8" LDT BY 'ITW' WITH SPACING OF 23" O.C. INTO 3000 PSI CONCRETE, WITH 2-1/2" MIN. EMBED
3" MIN. EDGE DISTANCE

3/8" HLC SLEEVE BY 'HILTI' WITH SPACING OF 13" O.C. INTO BLOCK WALL, WITH 1-1/4" MIN. EMBED, 4" MIN. EDGE DIST.
15" O.C. INTO 3000 PSI CONCRETE, WITH 1-1/4" MIN. EMBED AND 2-1/2" MIN. EDGE DISTANCE

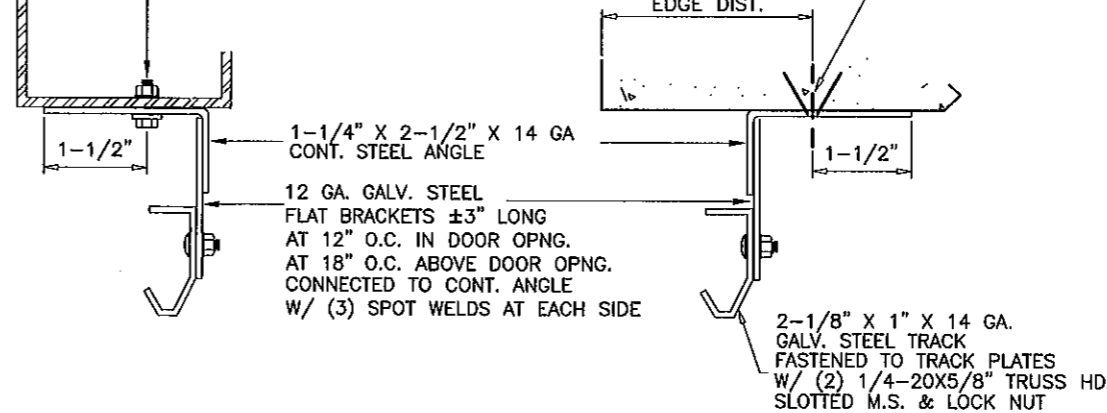
THE BLOCK WALL CELLS SHALL BE GROUT FILLED AND REINFORCED WITH FOUR # 5 BARS EXTENDING INTO FOOTING AND INTO THE BEAMS
ALL BARS SHALL BE CONTINUOUS FROM THE BEAMS TO FOOTING.

PREPARATION OF JAMBS BY OTHERS



STEEL STRUCTURE BY OTHERS MUST SUPPORT THE LOADS IMPOSED BY DOOR SYSTEM

5/16" DIA. BOLTS WITH WASHER & NUT AT 12" O.C. MAX.



ALTERNATE TRACK INSTALLATION

ANCHOR SPACING				
ANCHORS	STRUCTURE	EMBED	SPACING	EDGE DIST.
3/8" HLC SLEEVE BY 'HILTI'	CONC.	1-1/4"	8"	2"
3/8" HLC SLEEVE BY 'HILTI'	FILLED BLOCK	1-1/4"	8"	4"
3/8" DYNABOLT BY 'ITW'	CONC.	1-1/2"	8"	2-1/2"
3/8" DYNABOLT BY 'ITW'	FILLED BLOCK	1-1/2"	8"	3-3/4"
3/8" POWER-BOLT BY 'POWERS'	CONC.	2"	8"	2"
3/8" SLEEVE-ALL BY 'SIMPSONS'	CONC.	1-1/2"	8"	3"

CONCRETE f'c = 3000 PSI MIN.
C-90 GROUT FILLED BLOCK f'm = 2000 PSI MIN.

Engr: JAVAD AHMAD
CIVIL
FLA. PE # 70592
C.A.N. 3538
NOV 07 2011

PRODUCT REVISED
as complying with the Florida Building Code
Acceptance No 12-011014
Expiration Date 07/21/2015
By *[Signature]*
Miami Dade Product Control

af c
AL-FAROOQ CORPORATION
ENGINEERS & PRODUCT DEVELOPMENT
1235 S.W. 87 AVE
MIAMI, FLORIDA 33174
TEL. (305) 264-8100 FAX. (305) 262-6978
GARAGE\02-21DAB

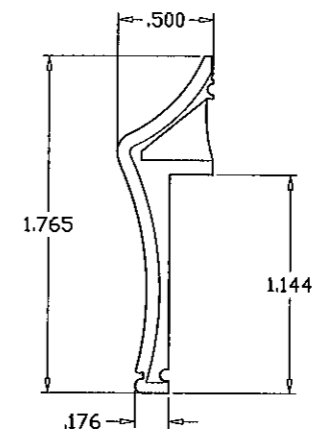
24 GA. ROLL FORMED STEEL SECTIONAL GARAGE DR.
DAB DOORS INC.
12195 N.W. 98 TH. AVE.
HIALEAH GARDENS, FL. 33018
TEL. (305) 556 - 6624

no	date	by	description
C	05.20.05		REV. PER BCCO COMMENTS
D	12.17.08		UPDATED FOR 2007 FBC
E	01.06.10		ENGR. NAME CHANGED
F	02.16.11		GENERAL REVISION
G	10.13.11		NO CHANGE THIS SHEET

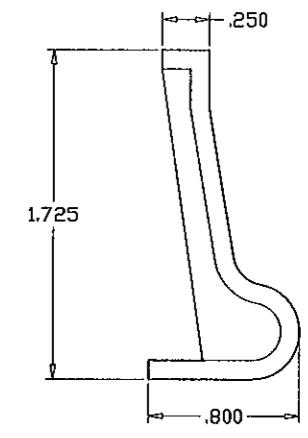
date: 09-10-02
scale: -
dr. by: HAMID
chk. by:
drawing no. 02-21
sheet 4 of 5

* PLASTIC COMPLIES WITH SECTION 2612 OF FBC 2007 SEE EVIDENCE PAGE

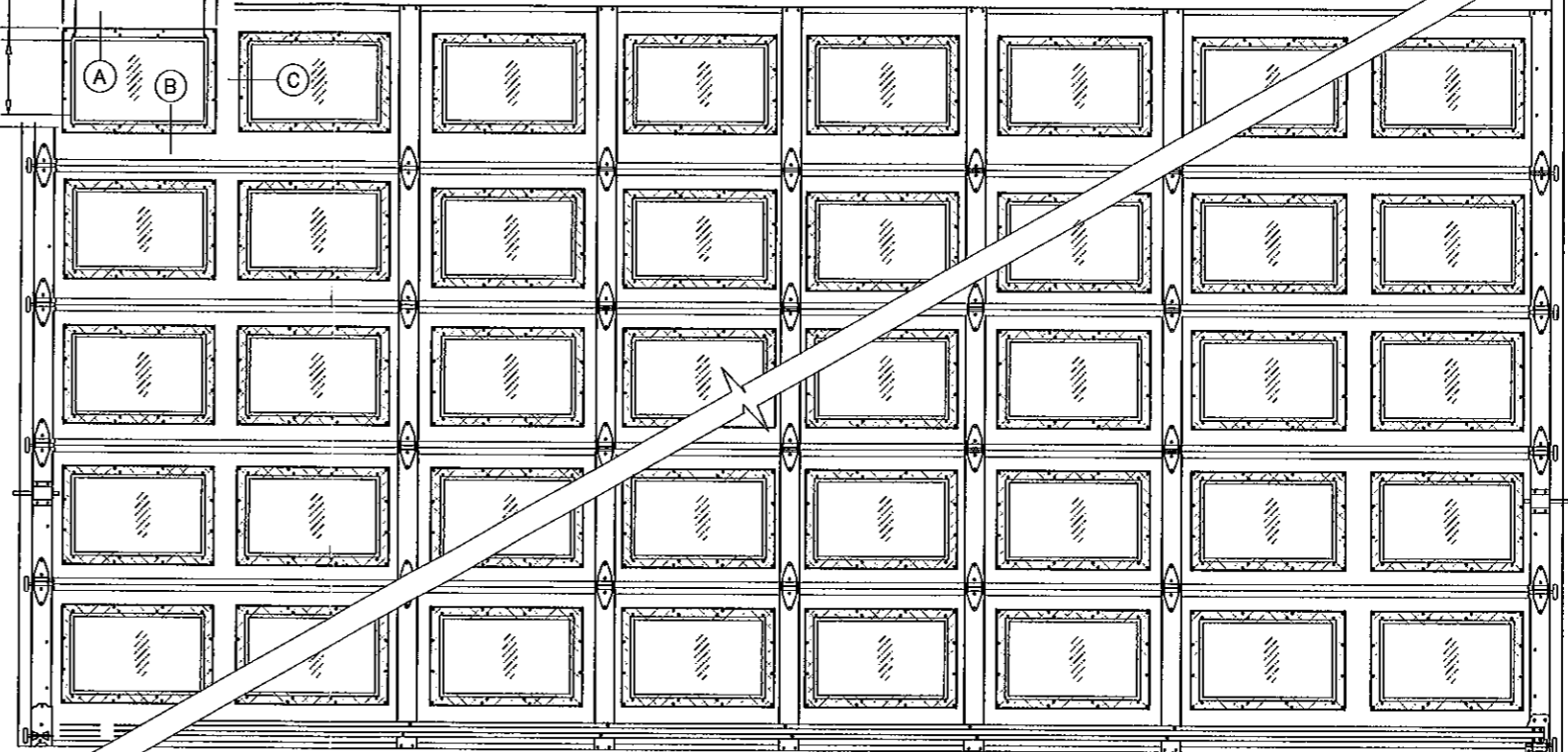
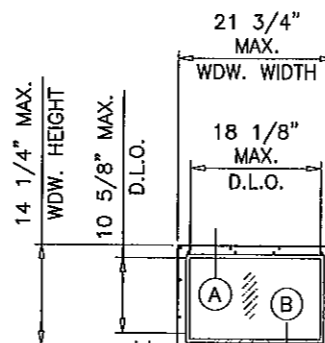
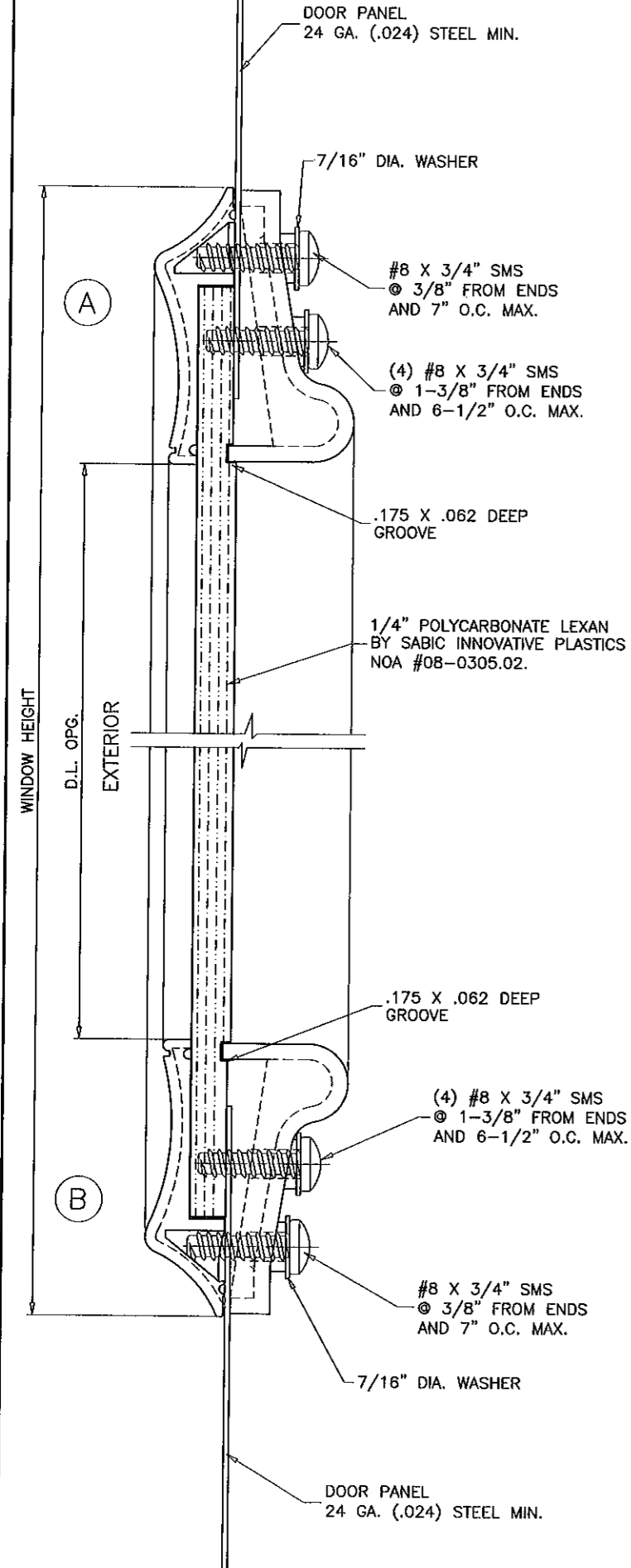
OPTIONAL WINDOW LITES IN ANY LOCATION



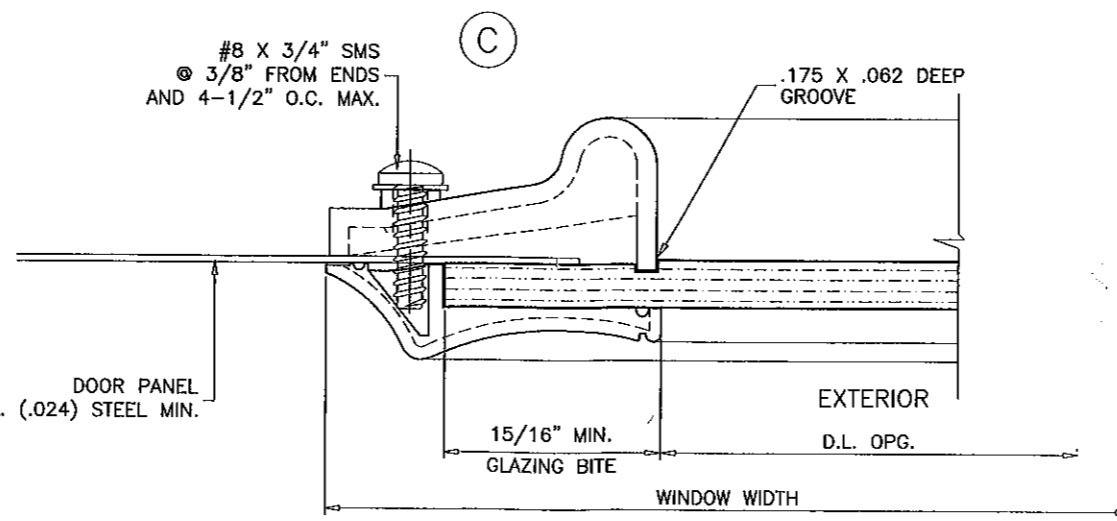
* EXTERIOR FRAME
RIGID PVC ONE PIECE INJECTION



* INTERIOR FRAME
RIGID PVC ONE PIECE INJECTION



INSIDE ELEVATION
RAISED PANEL EMBOSSED DOOR WITH OPTIONAL WINDOWS



Engr: JAVAD AHMAD
CIVIL
FLA. PE # 70592
C.A.N. 3538

J. Ahmad
NOV 07 2011

PRODUCT REVISED
as complying with the Florida
Building Code
Acceptance No 12-0119.14
Expiration Date 07/21/2015

By *J. Ahmad*
Miami Trade Product Control

af c
AL-FAROOQ CORPORATION
ENGINEERS & PRODUCT DEVELOPMENT
1235 S.W. 87 AVE
MIAMI, FLORIDA 33174
TEL. (305) 264-8100 FAX. (305) 262-6978
GARAGE\02-21DAB

24 GA. ROLL FORMED STEEL SECTIONAL GARAGE DR.
DAB DOORS INC.
12195 N.W. 98 TH. AVE.
HIALEAH GARDENS, FL. 33018
TEL. (305) 556 - 6624

no	date	by	description
C	05.20.05	REV. PER BCCO COMMENTS	
D	12.17.08	UPDATED FOR 2007 FBC	
E	01.06.10	ENGR. NAME CHANGED	
F	02.16.11	NO CHANGE THIS SHEET	
G	10.13.11	NO CHANGE THIS SHEET	

date: 09-10-02
scale: -
dr. by: HAMID
chk. by:

drawing no.
02-21

sheet 5 of 5